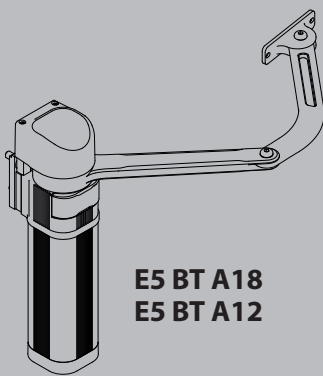


# E5 BT A18

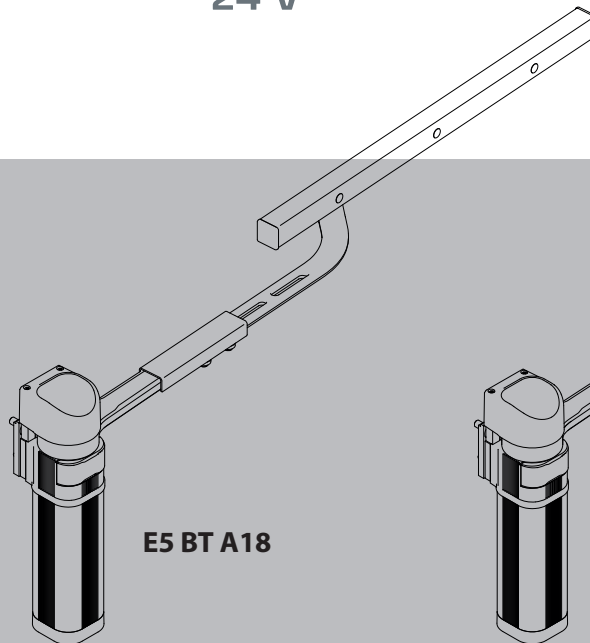
# E5 BT A12



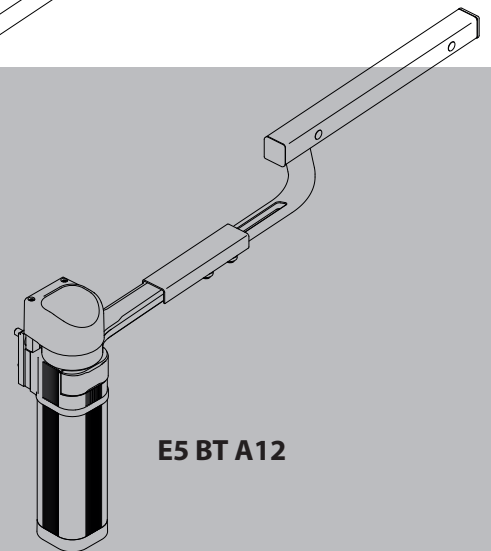
24 V



E5 BT A18  
E5 BT A12



E5 BT A18



E5 BT A12

D814068 0AA00\_04 19-03-20

INSTALLATION AND USER'S MANUAL

ARM AUTOMATIONS FOR SWING GATES

**Caution!** Read "Warnings" inside carefully!



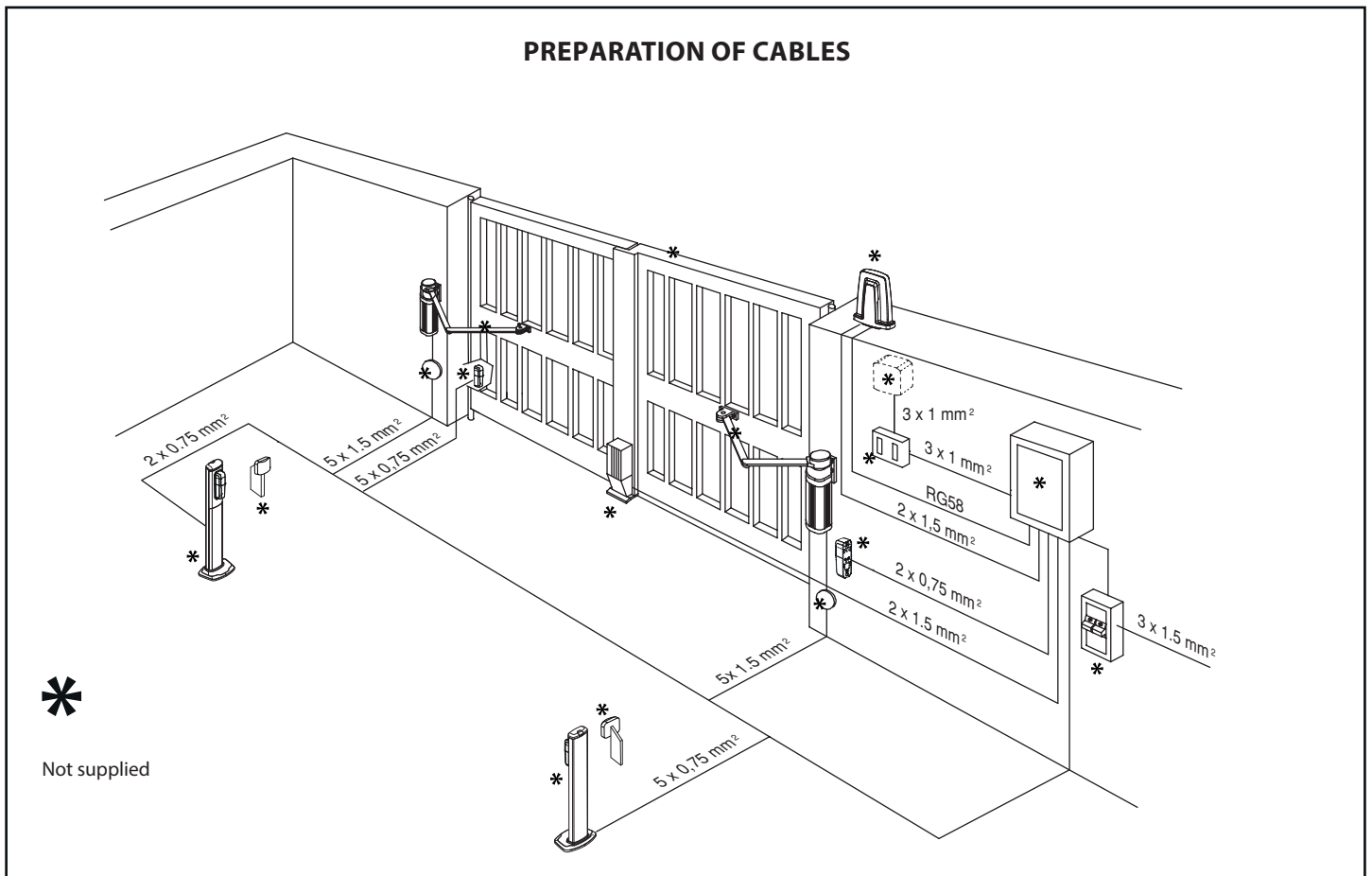
AZIENDA CON  
SISTEMA DI GESTIONE  
CERTIFICATO DA DNV GL  
= ISO 9001 =  
= ISO 14001 =



### 1) IN GENERAL

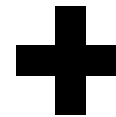
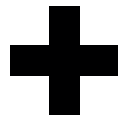
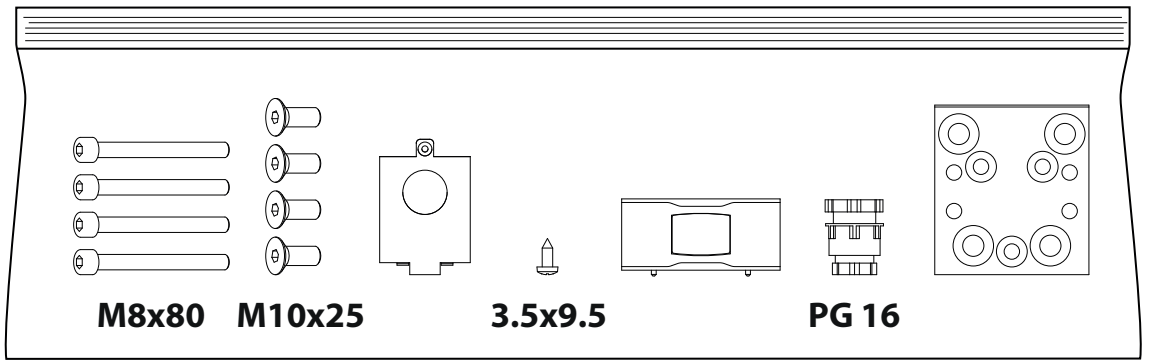
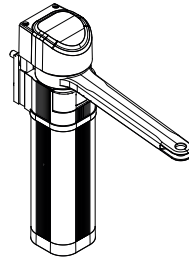
The E5 automation consists of a compact electromechanical gearmotor of minimum size, which can be applied on any pillar or column, due to its versatility. The locking of the gate at closing is ensured by an electric lock, and the manual emergency manoeuvre can be easily performed, after having unlocked the electric lock using the personalised key provided, thanks to the reversibility of the gear motor.

Total safety against crushing is ensured by a multiple disc clutch, and the end-of-stroke operation is regulated with an encoder.



# PACKAGE CONTENTS

## E5 BT A18 E5 BT A12

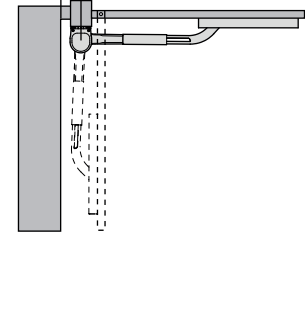
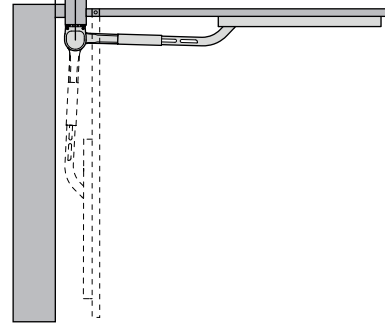
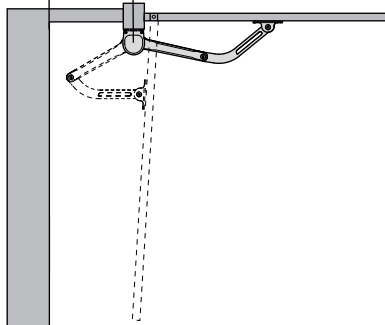
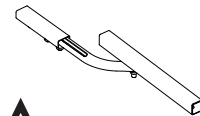
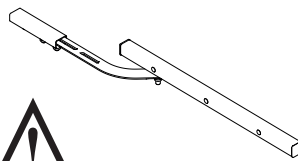


**E5 BT A18**  
**E5 BT A12**

**E5 BT A18**

**E5 BT A12**

ACCESSORY ARM NOT SUPPLIED

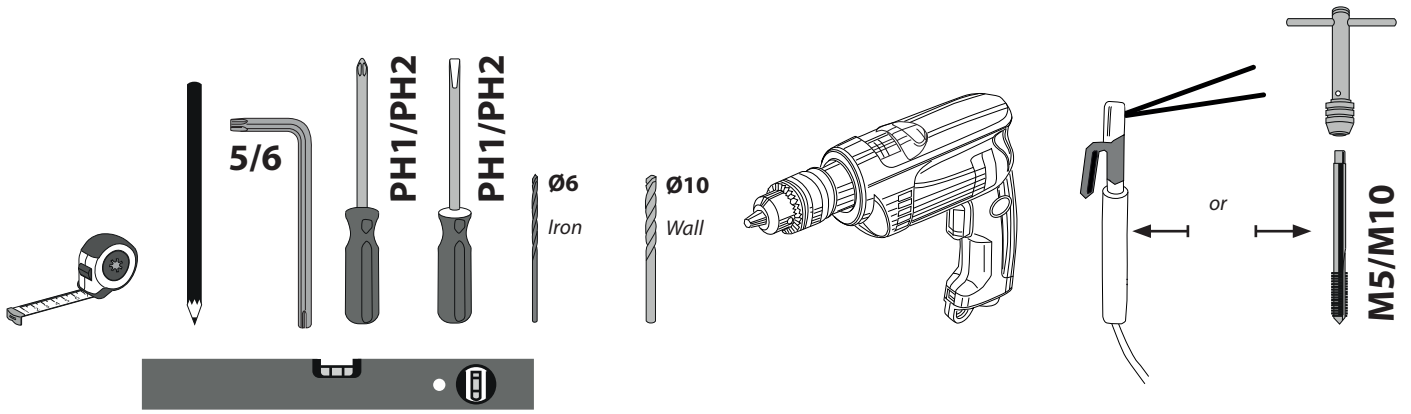


articulated arm

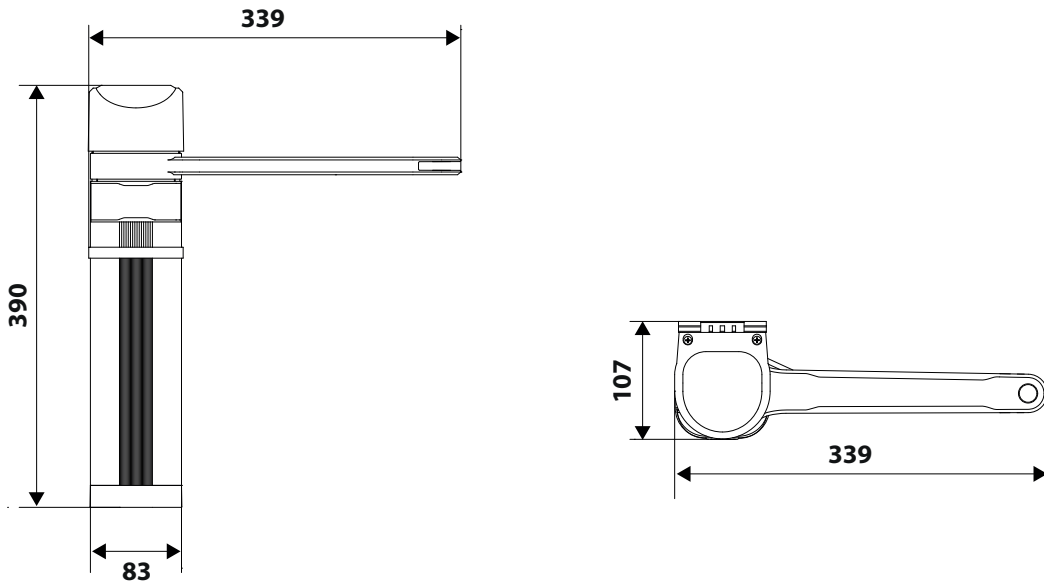
slide arm

slide arm

## EQUIPMENT REQUIRED

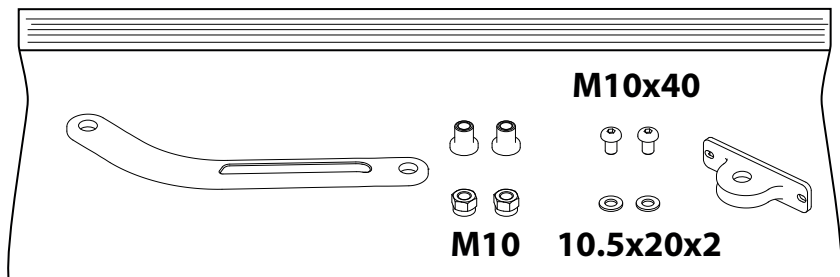


## DIMENSIONS

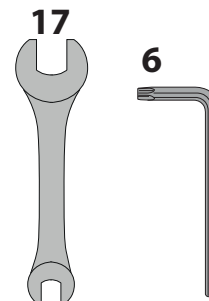


# ACCESSORY ARTICULATED ARM FOR E5 BT A18 / E5 BT A12

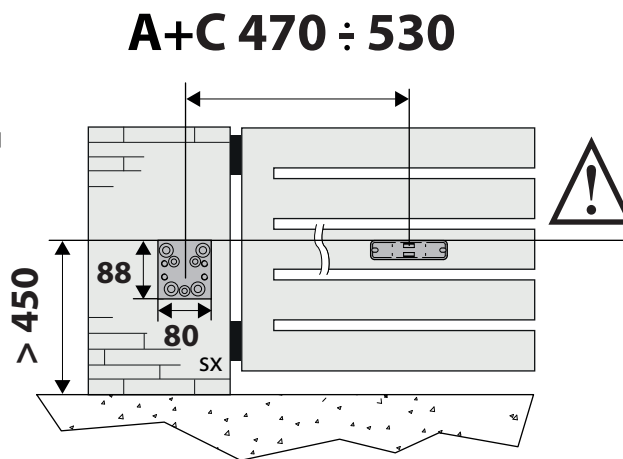
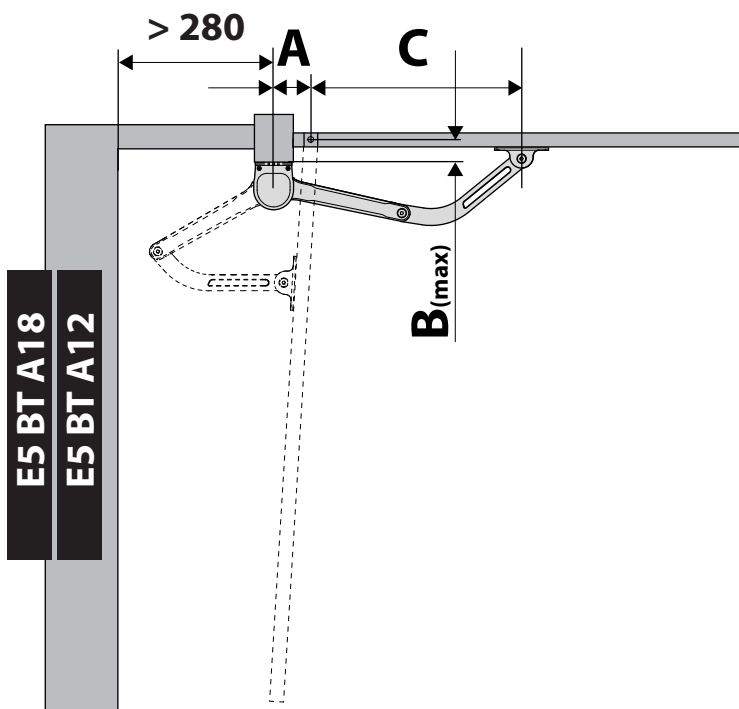
## PACKAGE CONTENTS



## EQUIPMENT REQUIRED



## DIMENSIONS

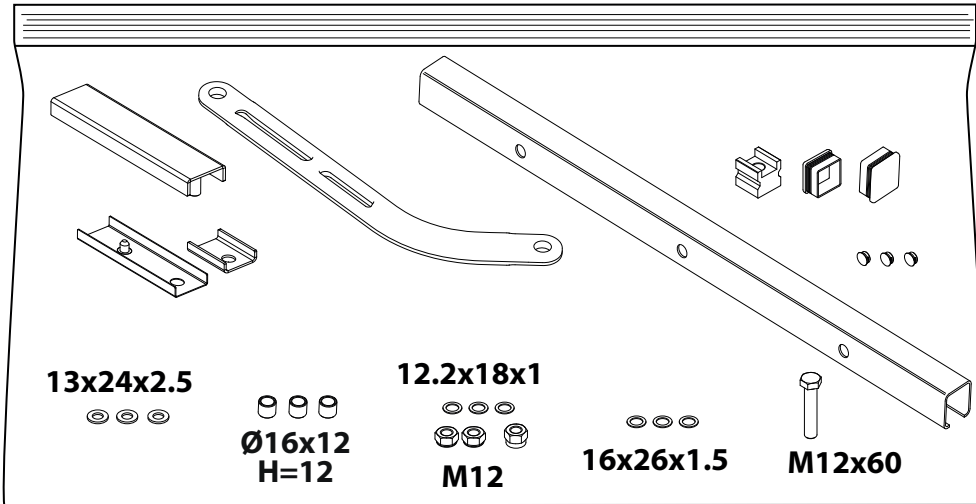


**WARNING!** Place the bracket on the full part of the gate.

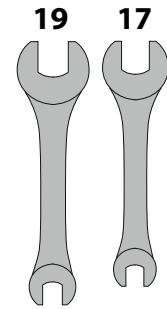
		A							
		120	140	150	160	170	180	190	200
B	30	125°	130°	134°	134°	137°	139°	141°	142°
	40	122°	128°	130°	133°	135°	137°	139°	140°
	50	120°	126°	128°	131°	133°	135°	136°	138°
	60	118°	124°	125°	130°	131°	133°	134°	136°
	70	116°	122°	124°	128°	129°	131°	132°	134°
	80	114°	120°	123°	127°	128°	129°	130°	132°
	90	113°	118°	122°	125°	126°	127°	128°	130°
	100	112°	117°	120°	124°	124°	125°	127°	128°
	110	110°	116°	119°	122°	122°	123°	125°	126°
	120	109°	114°	118°	121°	121°	121°	123°	124°
	130	108°	113°	115°	119°	119°	120°	121°	122°
	140	107°	112°	115°	118°	117°	118°	119°	120°
	150	107°	111°	114°	116°	116°	116°	117°	118°
	160	106°	110°	113°	115°	114°	114°	116°	117°
	170	105°	109°	112°	114°	112°	113°	114°	115°
	180	104°	109°	110°	112°	111°	111°	112°	113°
190	104°	108°	110°	111°	109°	109°	110°	111°	
200	103°	107°	107°	110°	108°	108°	109°	110°	

# ACCESSORY SLIDE ARM FOR E5 BT A18

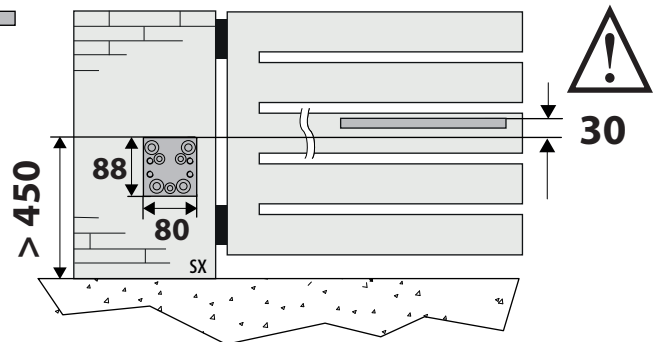
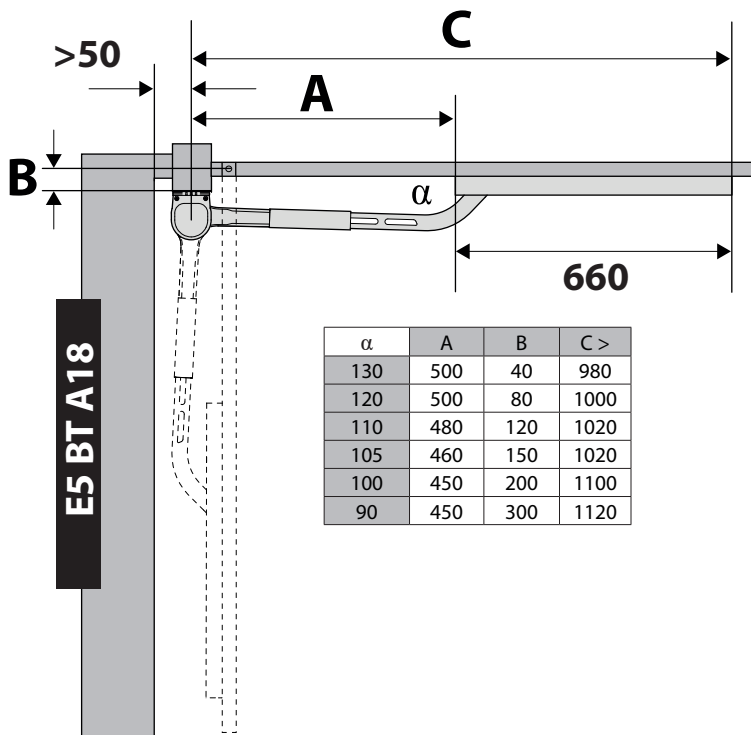
## PACKAGE CONTENTS



## EQUIPMENT REQUIRED



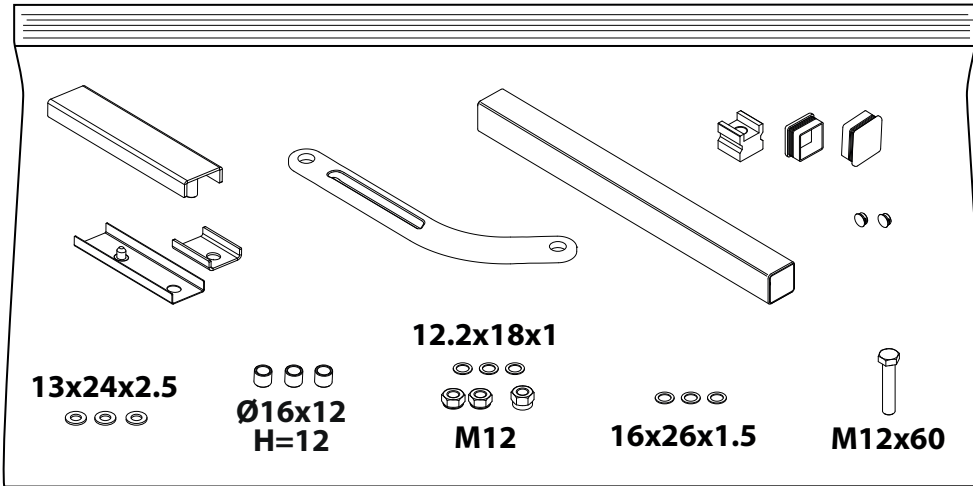
## DIMENSIONS



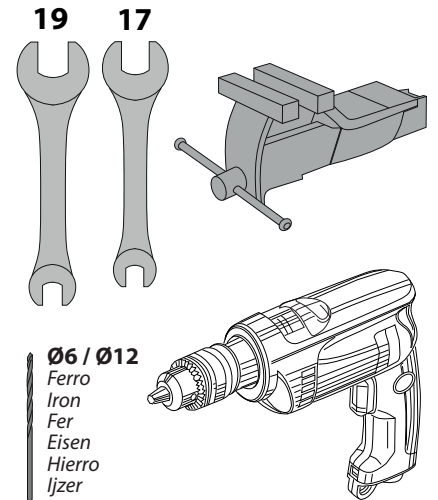
**WARNING!** Place the bracket on the full part of the gate.

# ACCESSORY SLIDE ARM FOR E5 BT A12

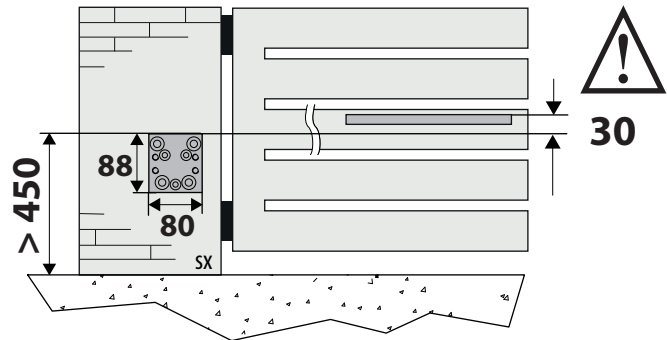
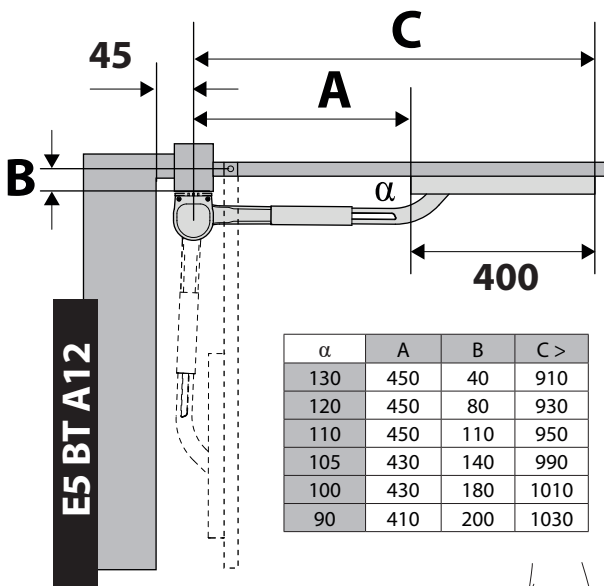
## PACKAGE CONTENTS



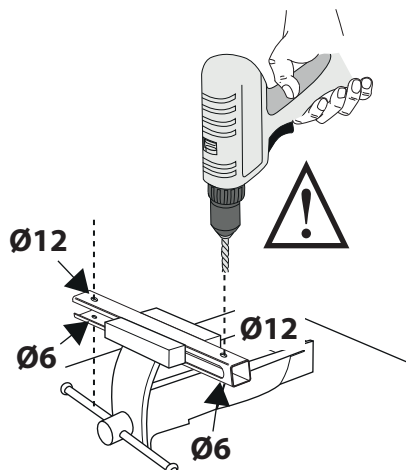
## EQUIPMENT REQUIRED

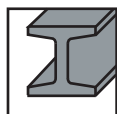
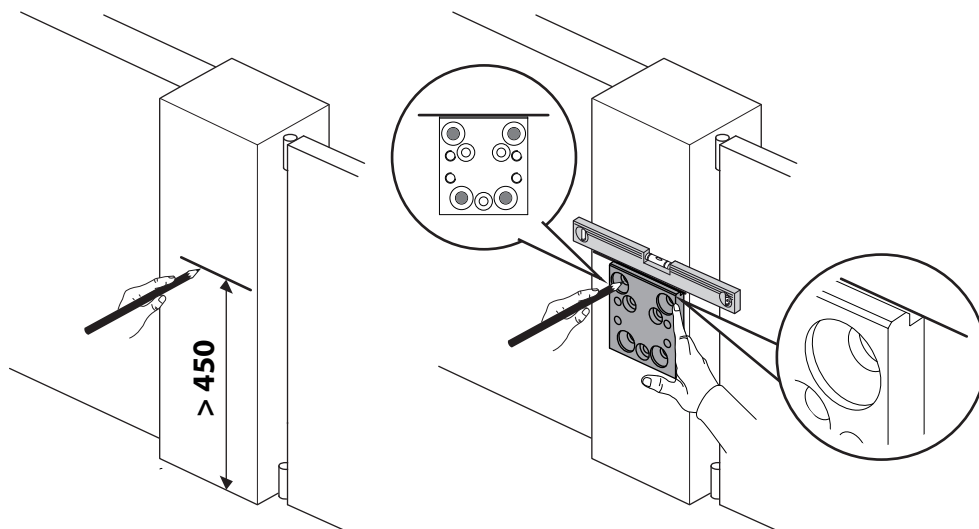
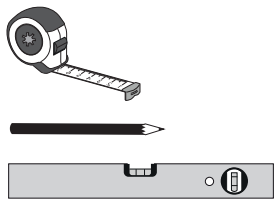
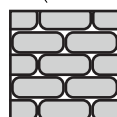
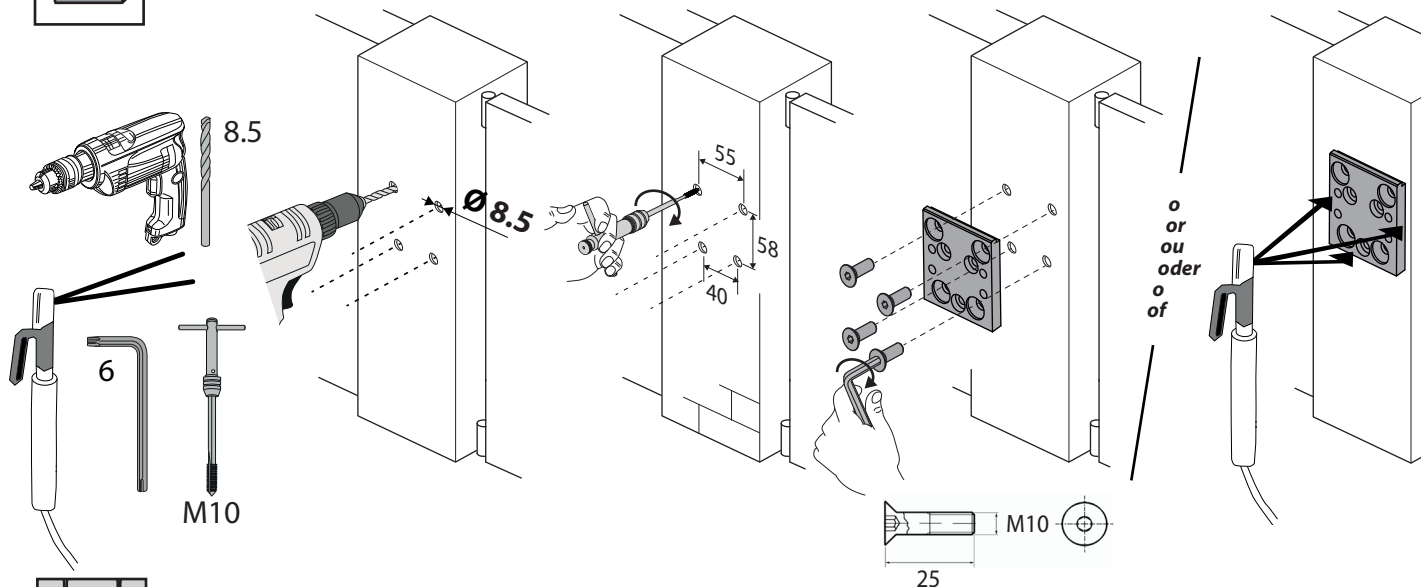
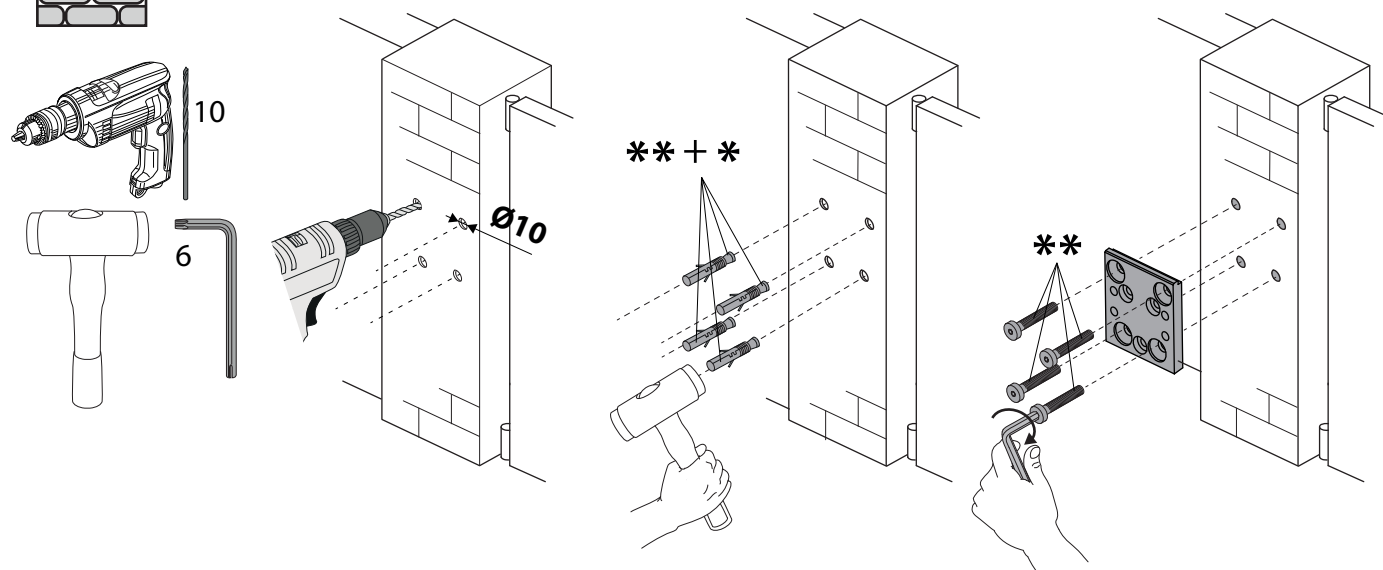


## DIMENSIONS



**WARNING!** Place the bracket on the full part of the gate.



**A****FASTENING OF MOTOR HOLDER PLATE****ON METAL****ON THE WALL**

\* Use stainless steel dowels!

\*\* Not supplied!

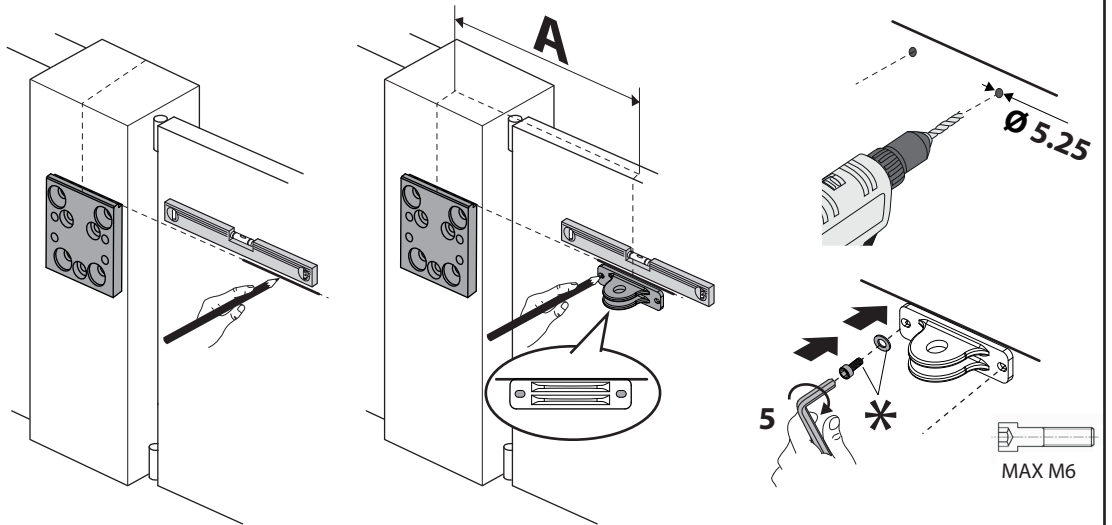
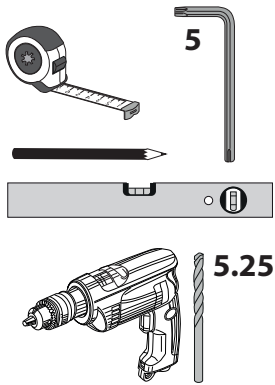


**B**

**FASTENING OF BRACKET ON LEAF**

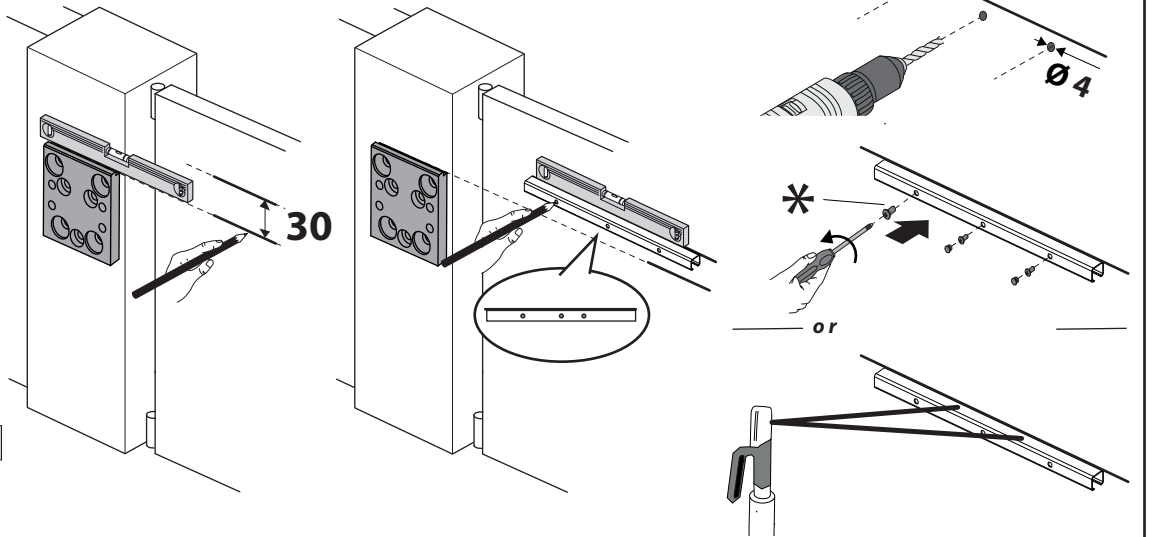
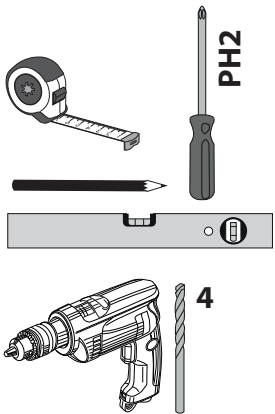
**ARTICULATED ARM**

**E5 BT A18**

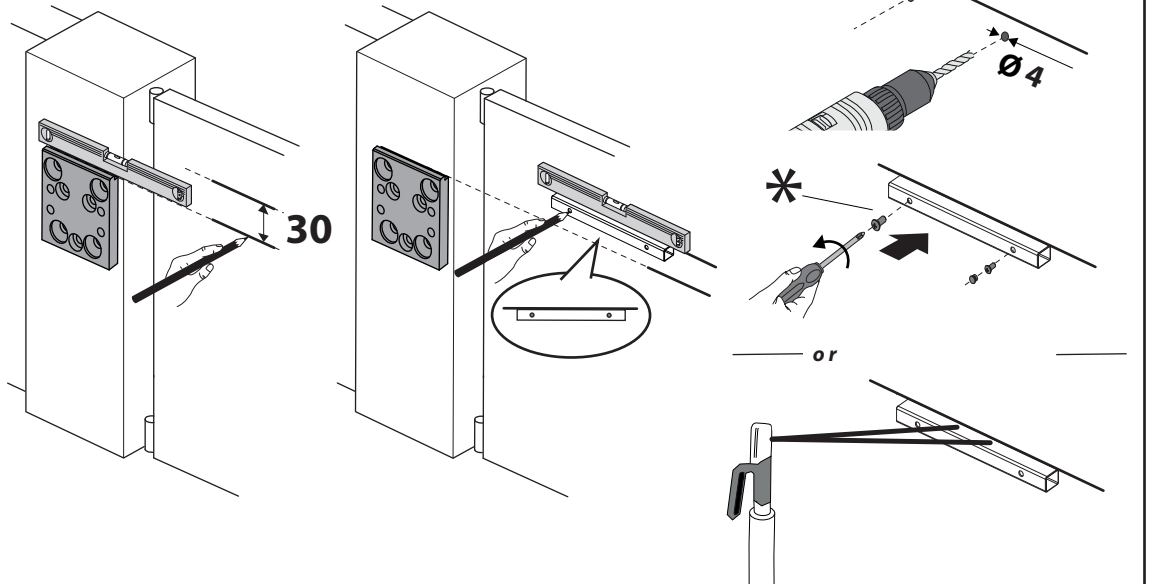
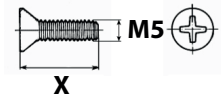


**SLIDE ARM**

**E5 BT A18**

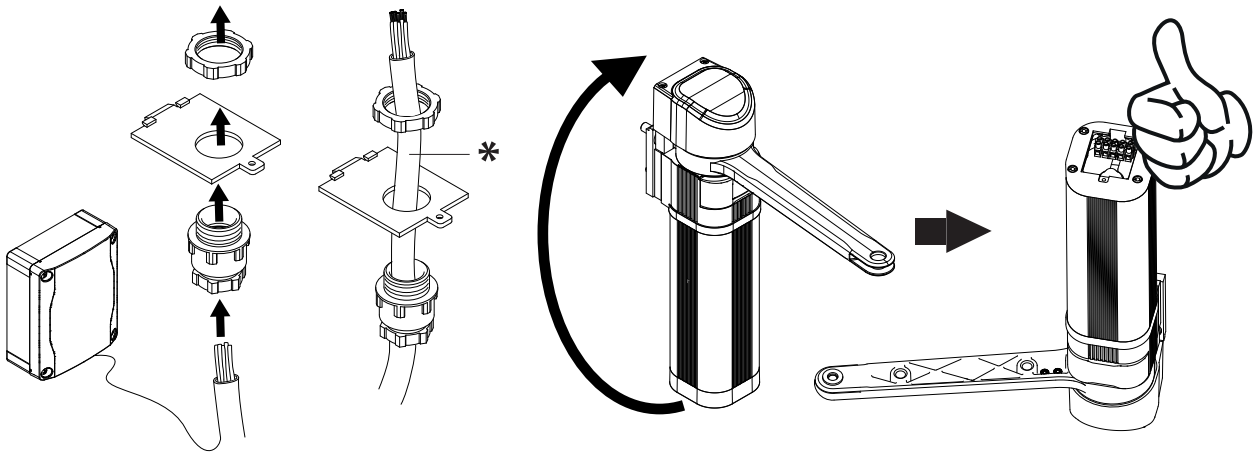


**E5 BT A12**

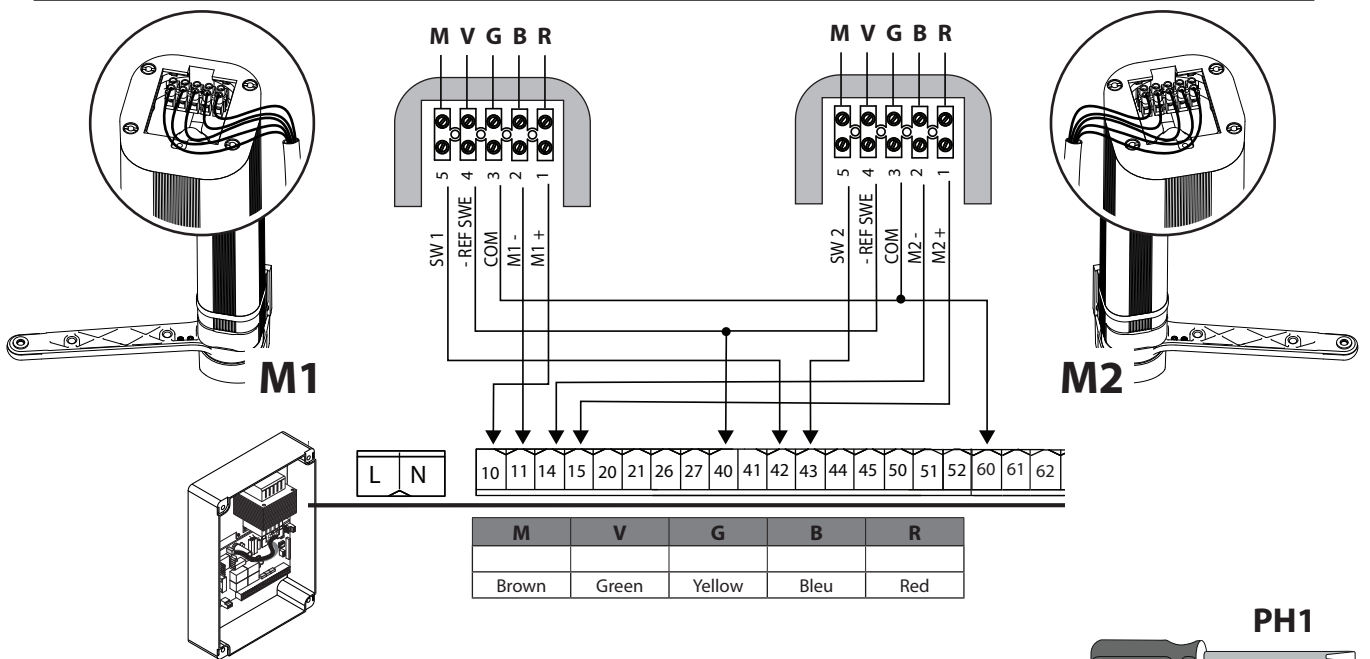


\* Not supplied -

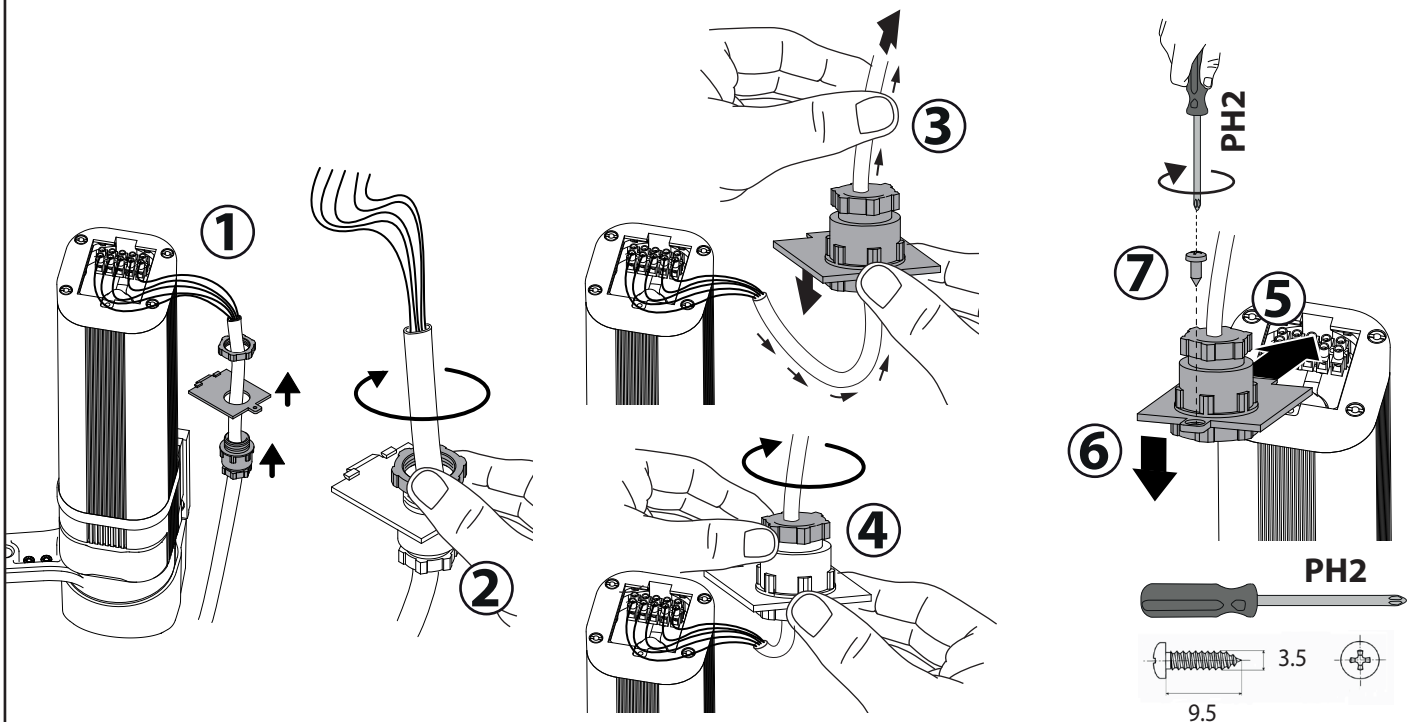
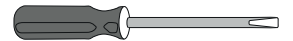
# C CONNECTIONS



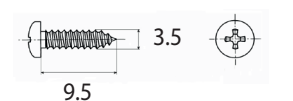
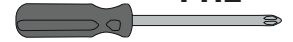
\* Not supplied. Recommended H05RN-F



PH1

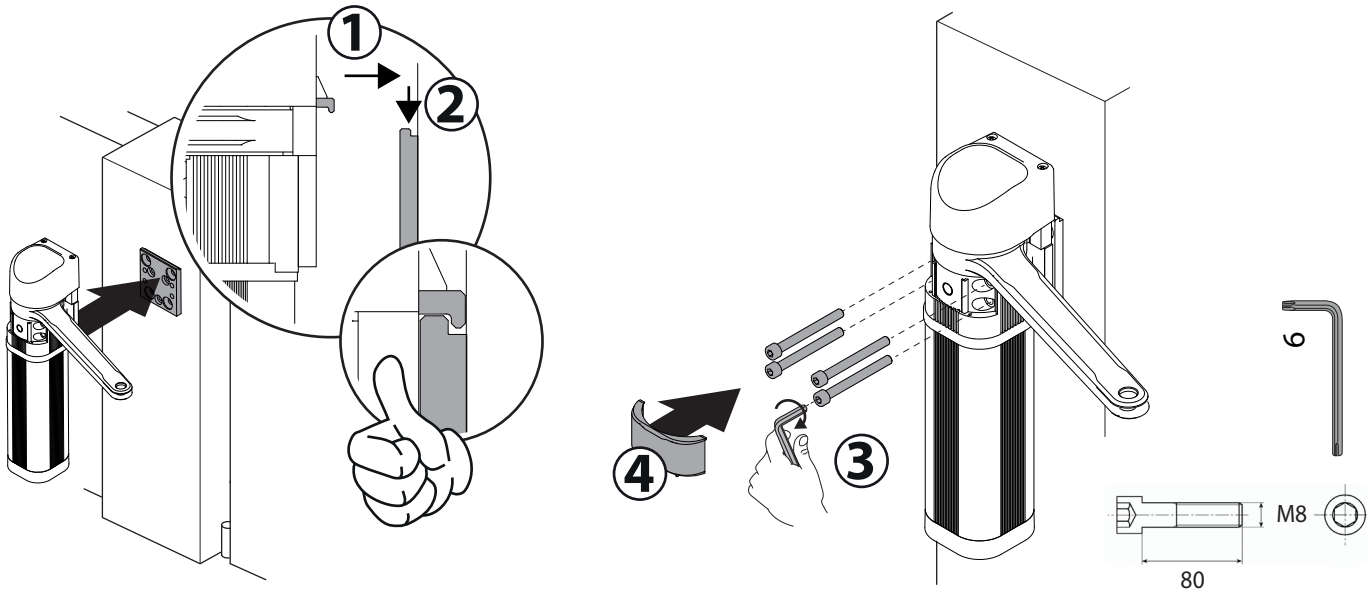


PH2



**D**

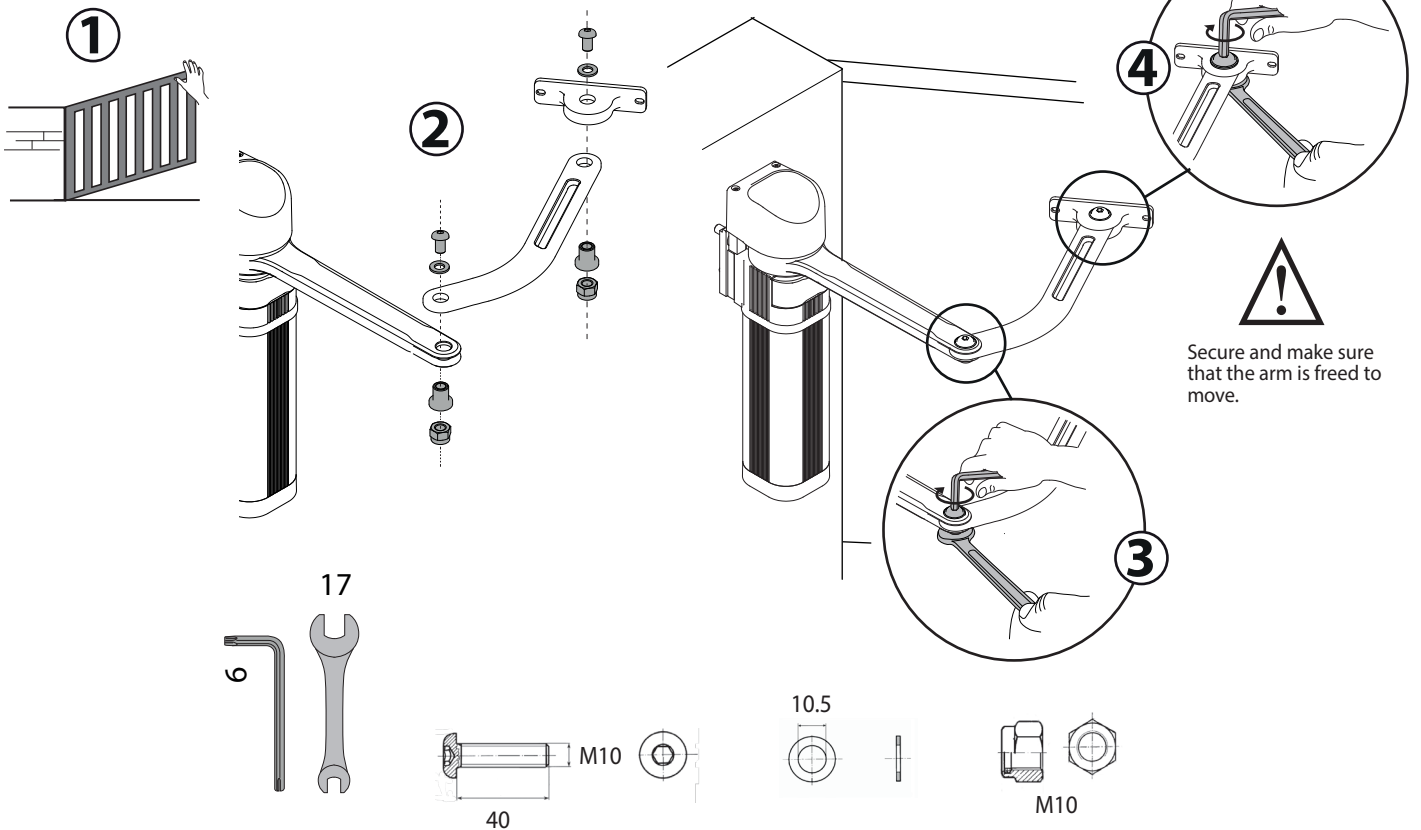
**MOTOR INSTALLATION**

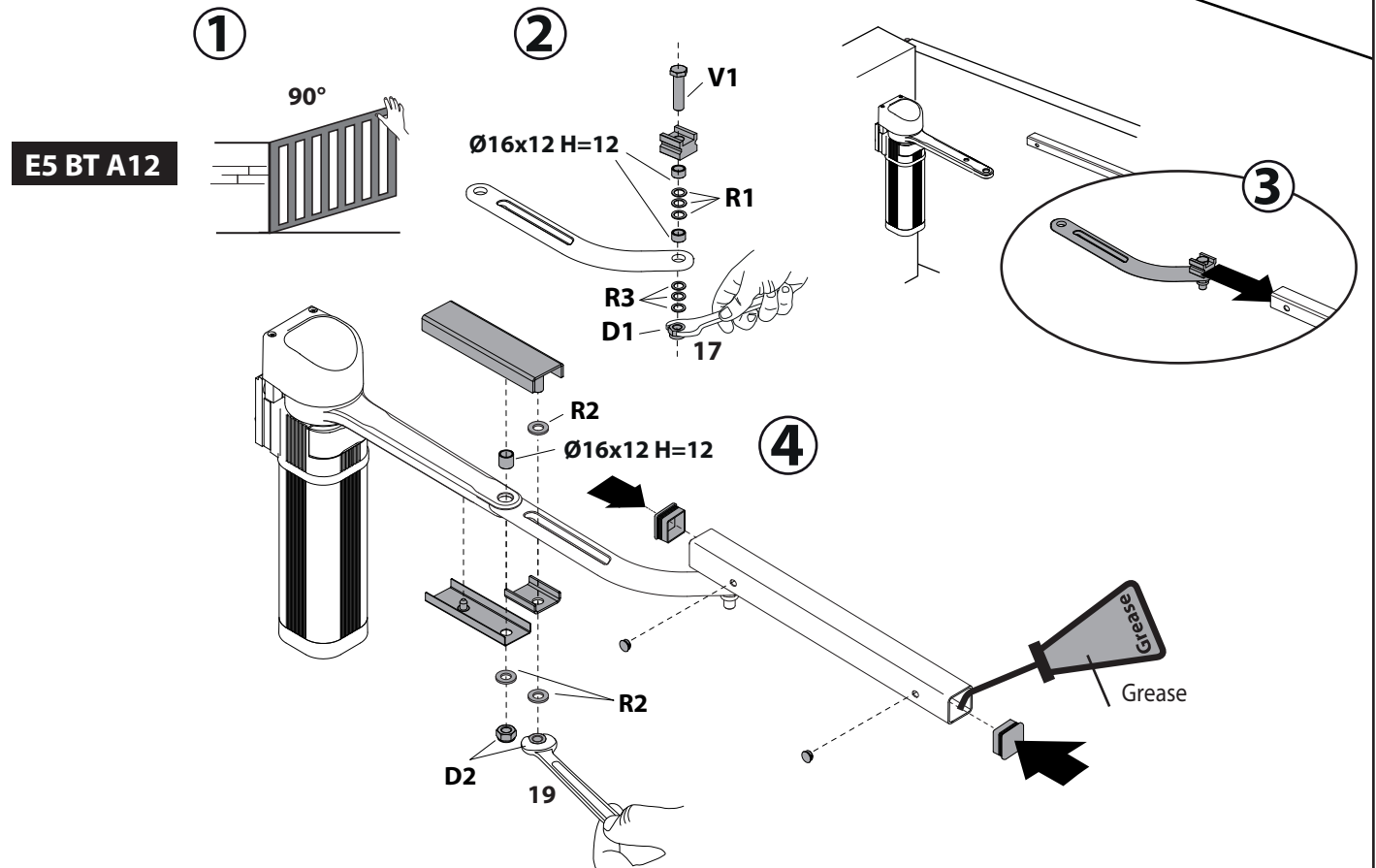
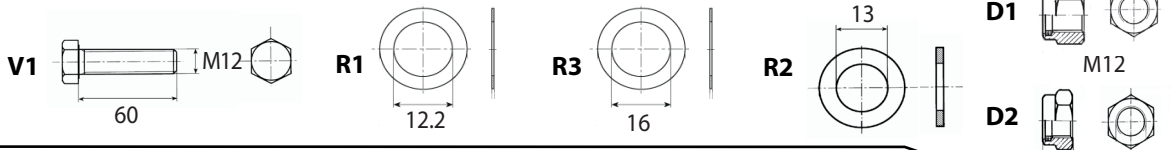
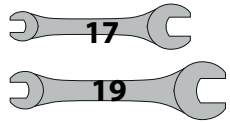
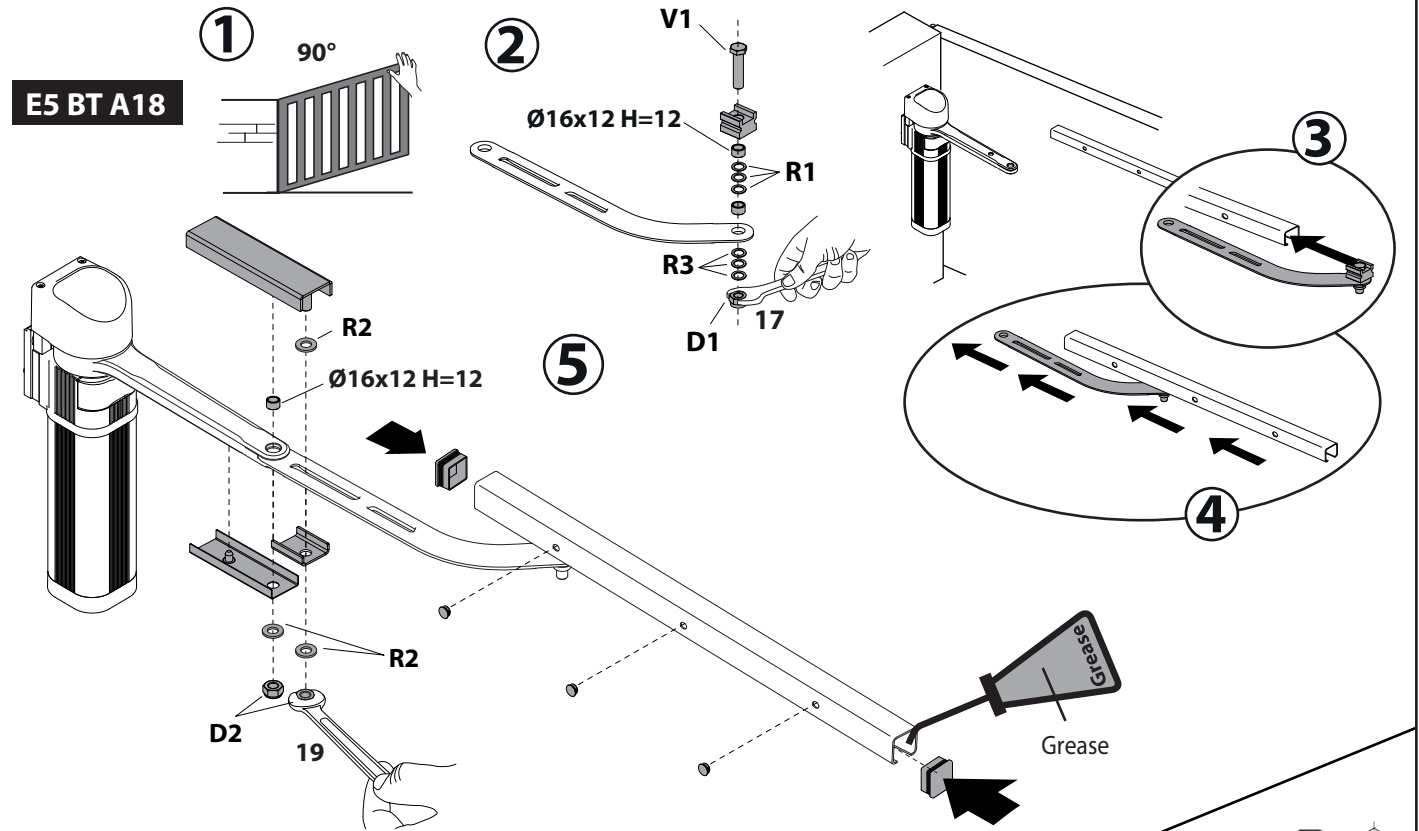


**E**

**ASSEMBLY AND FASTENING OF ARTICULATED ARM**

**E5 BT A18**



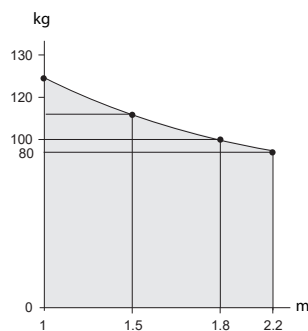
**F****ASSEMBLY AND FASTENING OF SLIDE ARM**

## TECHNICAL DATA

	E5 BT A 18	E5 BT A 12
Motor power supply	24 Vdc	
Maximum power	100W	
Length of leaf for maximum weight	1.8 m	1.2 m
Maximum leaf weight	100 kg	80 kg
Maximum leaf length	1.8 m	1.2 m
Maximum motor rpm	2500	1600
Opening time at 90° without load	14s	4.6 - 6.5s
Block holding	reversible gear motor	
Max. motor torque	150 Nm	40 Nm
Max. opening angle	130°	
Reaction to collision	multiple disk mechanical clutch	
Manual manoeuvre	electric lock release with key	
Max. No. of manoeuvres/h	20	100
Environmental conditions	-20 / +55° C	
Lubrication	permanent grease	
Degree of protection	IP44	
Actuator weight	50 N (5kg)	50 N (5kg)
Sound pressure	<70dB(A)	

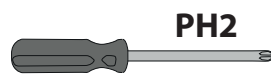
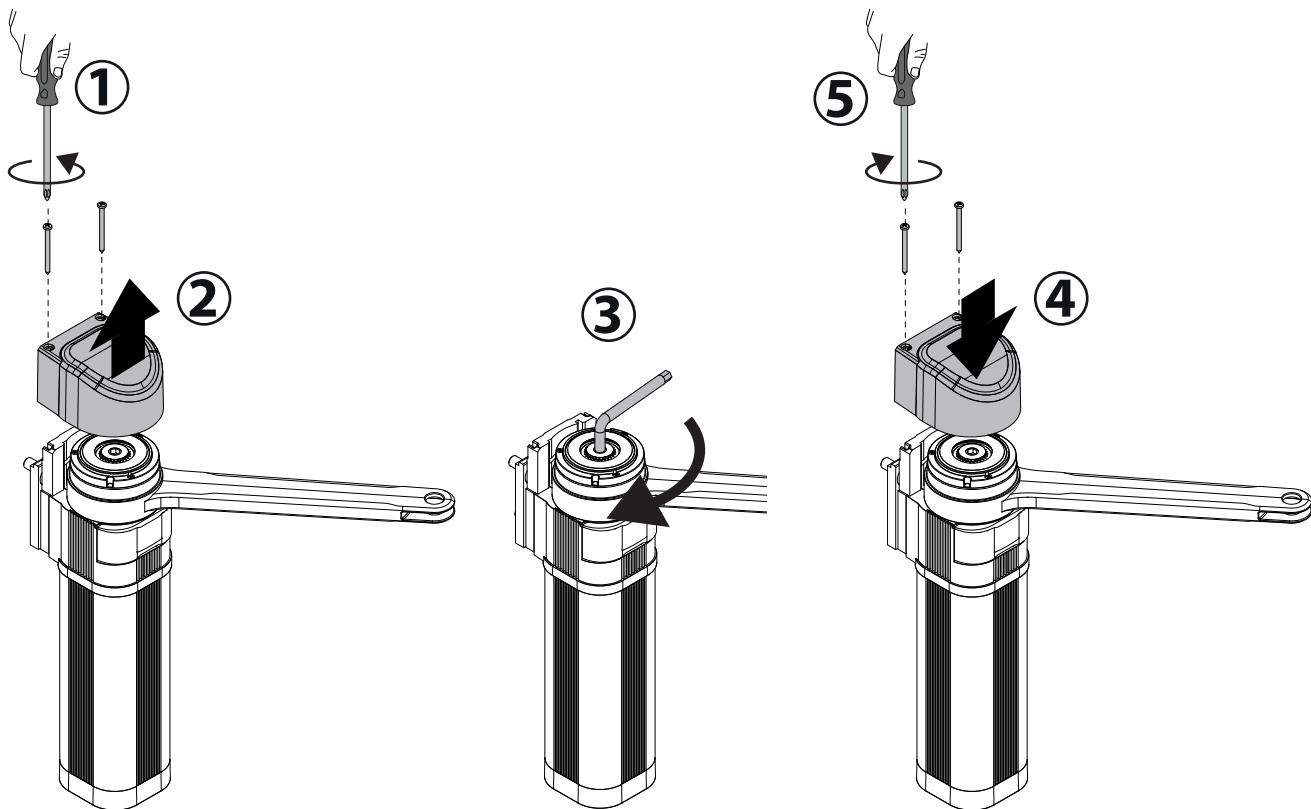
\* special voltage supplies on request

only for E5 BT A18



### CLUTCH FASTENING

**G**



**BFT Spa** [www.bft-automation.com](http://www.bft-automation.com)

Via Lago di Vico, 44 **ITALY**  
36015 Schio (VI)  
T +39 0445 69 65 11  
F +39 0445 69 65 22



**SPAIN** [www.bftautomatizsmos.com](http://www.bftautomatizsmos.com)

**BFT GROUP ITALIBERICA DE AUTOMATISMOS S.L.**  
08401 Granollers - (Barcelona)

**FRANCE** [www.bft-france.com](http://www.bft-france.com)

**AUTOMATISMES BFT FRANCE**  
69800 Saint Priest

**GERMANY** [www.bft-torantriebe.de](http://www.bft-torantriebe.de)

**BFT TORANTRIEBSSYSTEME GmbH**  
90522 Oberasbach

**BENELUX** [www.bftbenelux.be](http://www.bftbenelux.be)

**BFT BENELUX SA**  
1400 Nivelles

**UNITED KINGDOM** [www.bft.co.uk](http://www.bft.co.uk)

**-BFT Automation UK Limited**  
Unit C2-C3, The Embankment Business Park, Vale Road, Heaton Mersey, Stockport, SK4 3GL

**-BFT Automation (South) Limited**

Enterprise House, Murdock Road, Dorcan, Swindon, SN3 5HY

**PORTUGAL** [www.bftportugal.com](http://www.bftportugal.com)

**BFT SA - COMERCIO DE AUTOMATISMOS E MATERIAL DE SEGURANCIA**  
3026-901 Coimbra

**POLAND** [www.bft.pl](http://www.bft.pl)

**BFT POLSKA SP.ZO.O.**  
Marecka 49, 05-220 Zielonka

**IRELAND** [www.bftautomation.ie](http://www.bftautomation.ie)

**BFT AUTOMATION LTD**  
Unit D3, City Link Business Park, Old Naas Road, Dublin 12

**CROATIA** [www.bft.hr](http://www.bft.hr)

**BFT ADRIA D.O.O.**  
51218 Drazice (Rijeka)

**CZECH REPUBLIC** [www.bft.it](http://www.bft.it)

**BFT CZ S.R.O.**  
Praha

**TURKEY** [www.bftotomasyon.com.tr](http://www.bftotomasyon.com.tr)

**BFT OTOMATIK KAPI SISTEMELERI SANAY VE**  
Istanbul

**RUSSIA** [www.bftrus.ru](http://www.bftrus.ru)

**BFT RUSSIA**  
111020 Moscow

**AUSTRALIA** [www.bftaustralia.com.au](http://www.bftaustralia.com.au)

**BFT AUTOMATION AUSTRALIA PTY LTD**  
Wetherill Park (Sydney)

**U.S.A.** [www.bft-usa.com](http://www.bft-usa.com)

**BFT USA**  
Boca Raton

**CHINA** [www.bft-china.cn](http://www.bft-china.cn)

**BFT CHINA**  
Shanghai 200072

**UAE** [www.bftme.ae](http://www.bftme.ae)

**BFT Middle East FZCO**  
Dubai