

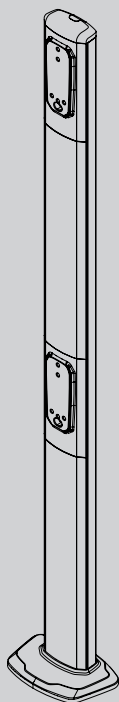
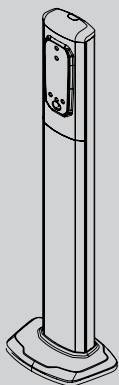


PIASTRA DI FONDAZIONE E COLONNINE
FOUNDATION PLATE AND POSTS
PLAQUE DE FONDATION ET COLONNES
FUNDAMENTPLATTE UND SÄULEN
PLACA DE CIMENTACIÓN Y COLUMNAS
GRONDPLAAT EN KOLOMMEN

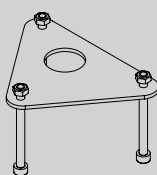
PLACA DE FUNDAÇÃO E COLUNAS
ΠΛΑΚΑ ΘΕΜΕΛΙΩΣΗΣ ΚΑΙ ΚΟΛΟΝΑΚΙΑ
PŁYTA MONTAŻOWA I KOLUMNY
ФУНДАМЕНТНАЯ ПЛИТА И СТОЛБИКИ
ZÁKLADOVÁ DESKA A SLOUPKY
TABAN MONTAJ ELEMANI VE UFAK KOLONLAR

PHP 2 A

PHP A



APL



INSTRUÇÕES DE INSTALAÇÃO
ΟΔΗΓΙΕΣ ΕΓΚΑΤΑΣΤΑΣΗΣ
INSTRUKCJE INSTALACJI
ИНСТРУКЦИИ ПО УСТАНОВКЕ
POKRYTY PRO INSTALACI
MONTAJ BILGILERI

ISTRUZIONI D'INSTALLAZIONE
INSTALLATION MANUAL
INSTRUCTIONS D'INSTALLATION
MONTAGEANLEITUNG
INSTRUCCIONES DE INSTALACION
INSTALLATIEVOORSCHRIFTEN

PHP A - PHP 2 A - APL

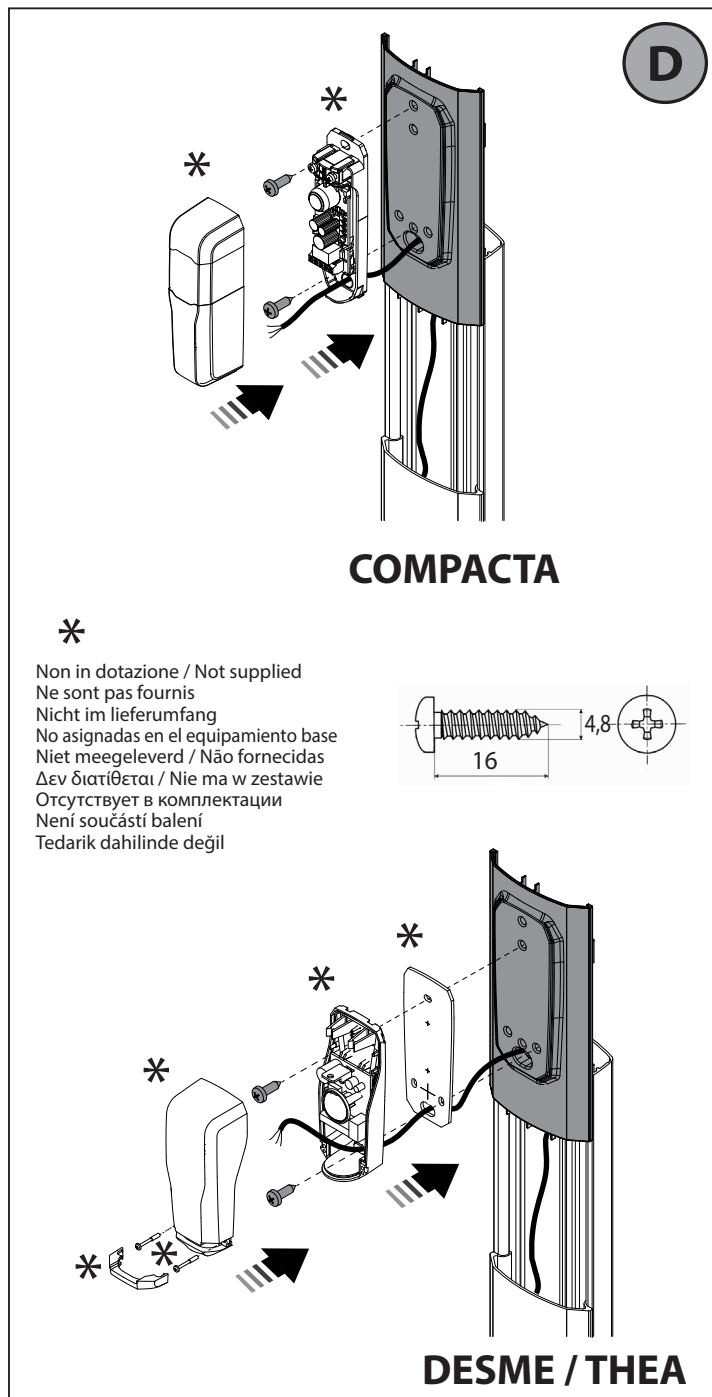
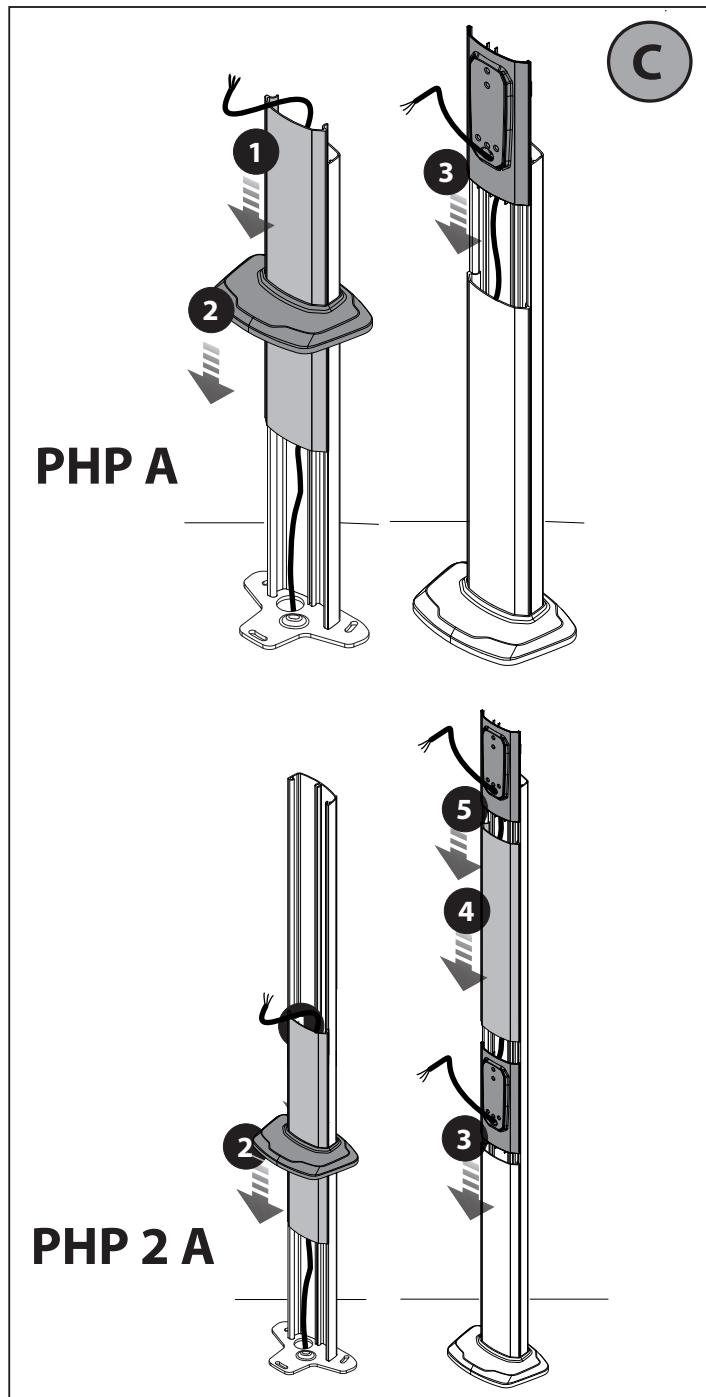
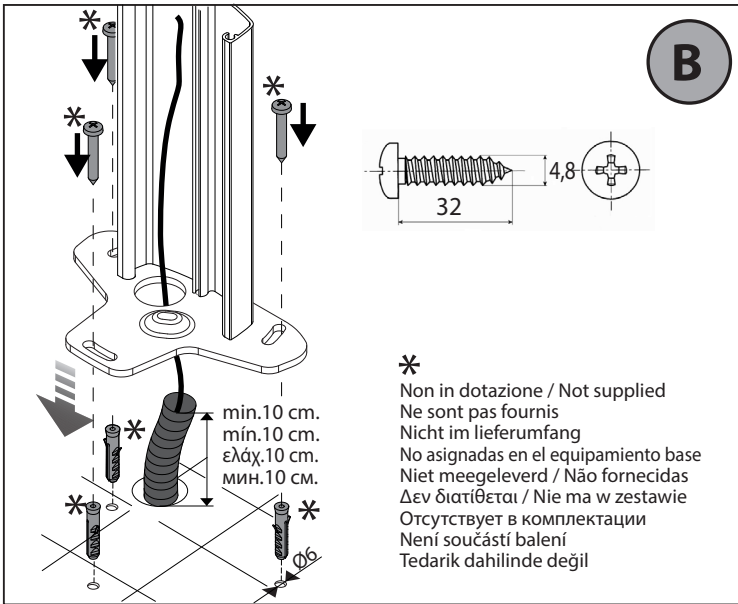
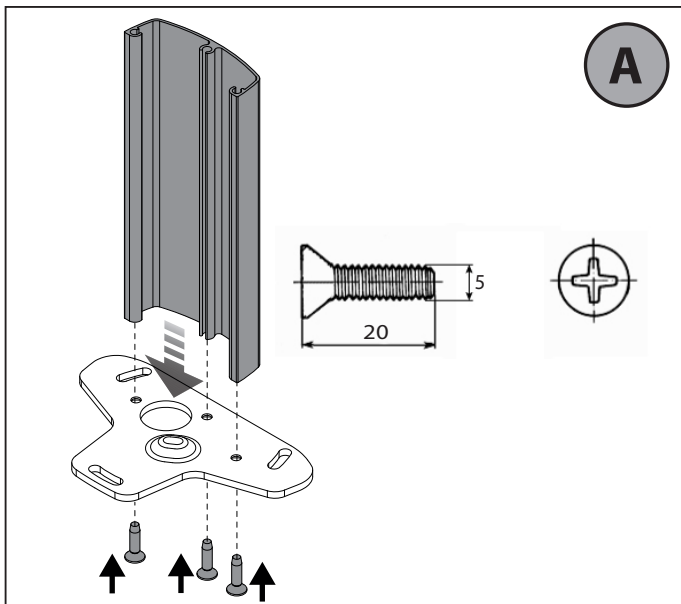
Bft



AZIENDA CON
SISTEMA DI GESTIONE
CERTIFICATO DA DNV GL
= ISO 9001 =
= ISO 14001 =

Attenzione! Leggere attentamente le "Avvertenze" all'interno! **Caution!** Read "Warnings" inside carefully! **Attention!** Veuillez lire attentivement les Avertissements qui se trouvent à l'intérieur! **Achtung!** Bitte lesen Sie aufmerksam die „Hinweise“ im Inneren! **Atención!** Leer atentamente las "Advertencias" en el interior! **Let op!** Lees de "Waarschuwingen" aan de binnenkant zorgvuldig! **Atenção!** Ler atentamente as "Instruções" que se encontram no interior! **Προσοχή!** Διαβάστε με προσοχή τις "Προειδοποιήσεις" στο εσωτερικό! **Uwaga!** Należy uważnie przeczytać "Ostrzeżenia" w środku! **Внимание!** Внимательно прочтите находящиеся внутри "Инструкции"! **Varování!** Přečtěte si pozorně kapitolu "Upozornění"! **Dikkat!** İçinde bulunan "Uyarıları" dikkatle okuyunuz!

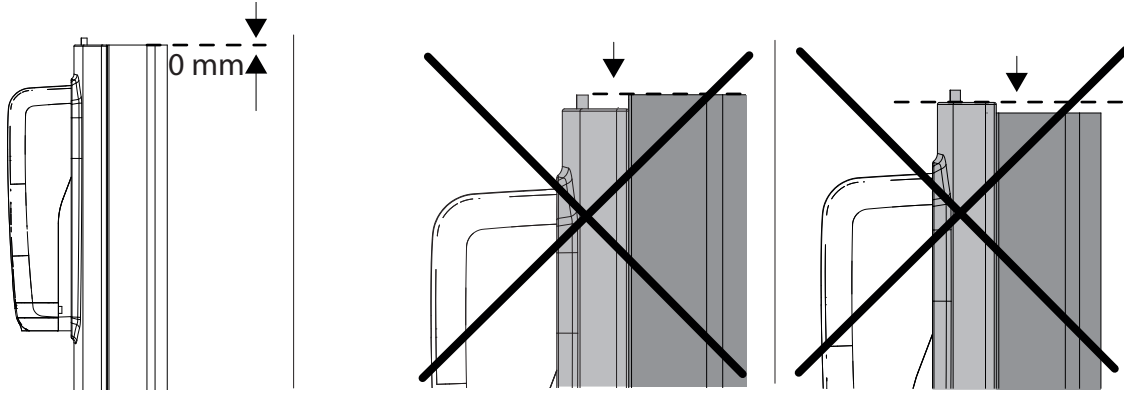
PHP A - PHP 2 A



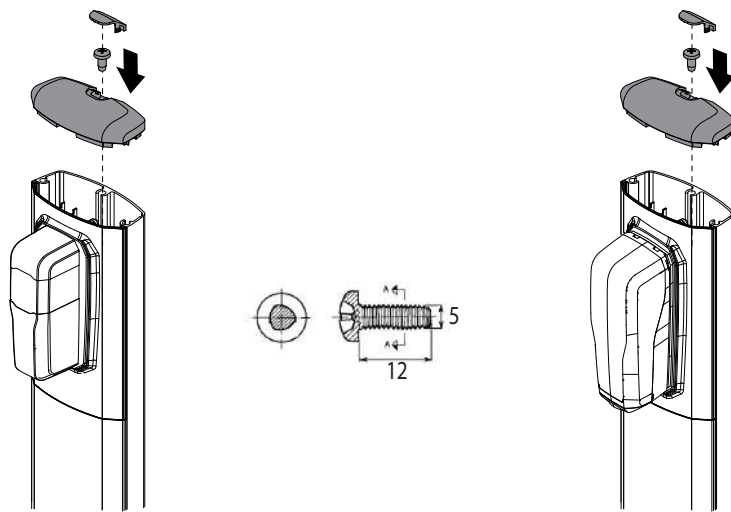
PHP A - PHP 2 A

E

OK



F



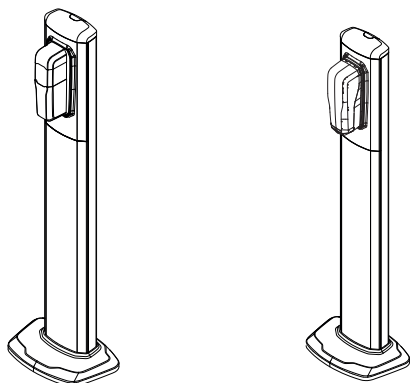
COMPACTA

DESME / THEA

G

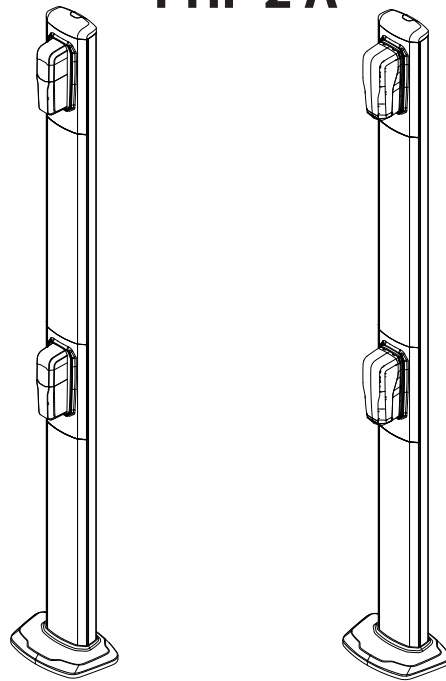
PHP A

PHP 2 A



COMPACTA

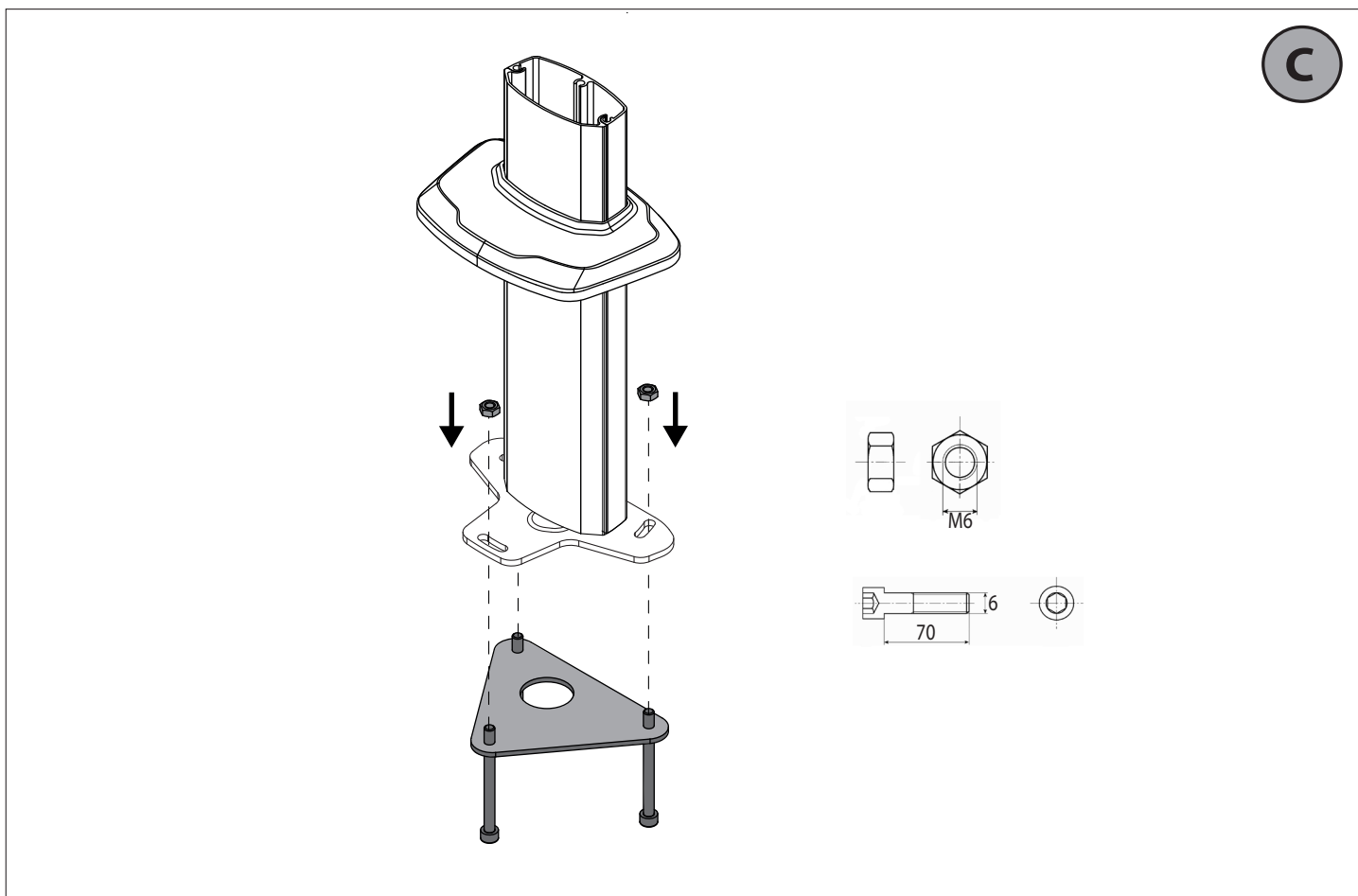
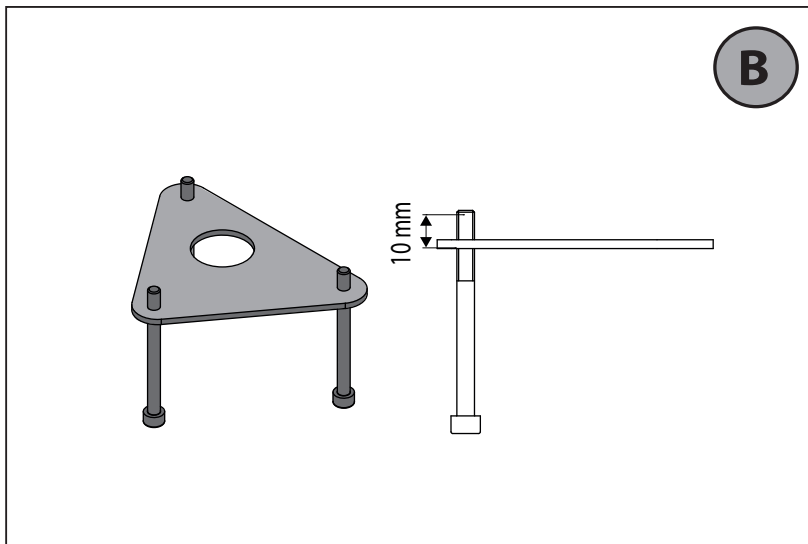
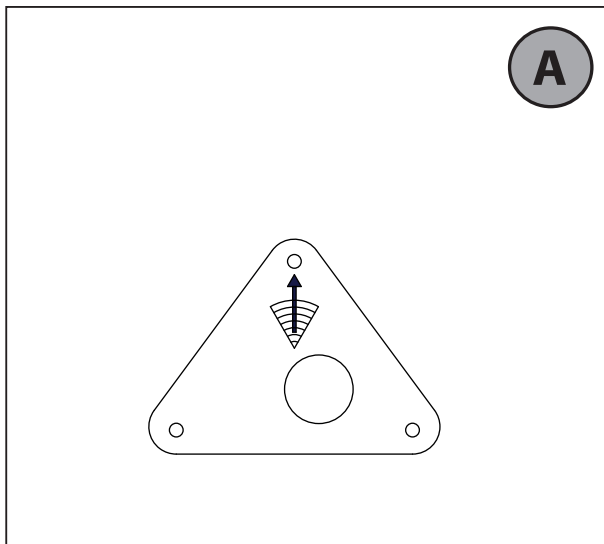
DESME / THEA



COMPACTA

DESME / THEA

APL




www.bft-automation.com

BFT Spa
Via Lago di Vico, 44 ITALY
36015 Schio (VI)
T +39 0445 69 65 11
F +39 0445 69 65 22

SPAIN
BFT GROUP ITALIBERICA DE AUTOMATISMOS SL
Camí de Can Bassa, 6, 08401 Granollers, Barcelona, Spagna

FRANCE
AUTOMATISMES BFT FRANCE SAS
50 rue jean zay
69800 Saint-Priest, Francia

GERMANY
BFT ANTRIEBSSYSTEME GMBH
Faber-Castell-Straße 29, 90522 Oberasbach, Germania

UNITED KINGDOM
BFT AUTOMATION UK LTD
Unit C2-C3 The Embankment Business Park, Vale Road Heaton Mersey Stockport Cheshire SK4 3GL United Kingdom

BFT AUTOMATION (SOUTH) LTD
Enterprise House Murdock Road, Dorcan, Swindon, England, SN3 5HY

PORTUGAL
BFT PORTUGAL SA
Urb. Pedrulha lote 9 - Apartado 8123, 3025-248 Coimbra Portugal

POLAND
BFT POLSKA SP ZOO
Marecka 49, 05-220 Zielonka, Polonia

IRELAND
BFT AUTOMATION IRELAND
Unit D3 City Link Business Park, Old Naas Road, Dublin

CROATIA
BFT ADRIA DOO
Obrovac 39, 51218, Dražice, Croazia

CZECH REPUBLIC
BFT CZ SRO
Ustecka 533/9, 184 00 Praha 8, Czech

TURKEY
BFT OTOMASYON KAPI
Şerifali Mahallesi, no, 34775 Ümraniye/İstanbul, Turchia

U.S.A.
BFT AMERICAS INC.
1200 S.W. 35th Avenue Suite B Boynton Beach FL 33426

AUSTRALIA
BFT AUTOMATION AUSTRALIA PTY
29 Bentley St, Wetherill Park NSW 2164, Australia

EMIRATES
BFT MIDDLEEAST FZCO
FZS2 AA01 - PO BOX 262200, Jebel Ali Free Zone South Zone 2, Dubai - United Arab

NEW ZEALAND
BFT AUTOMATION NEW ZEALAND
224/A Bush Road, Rosedale, Auckland, New Zealand