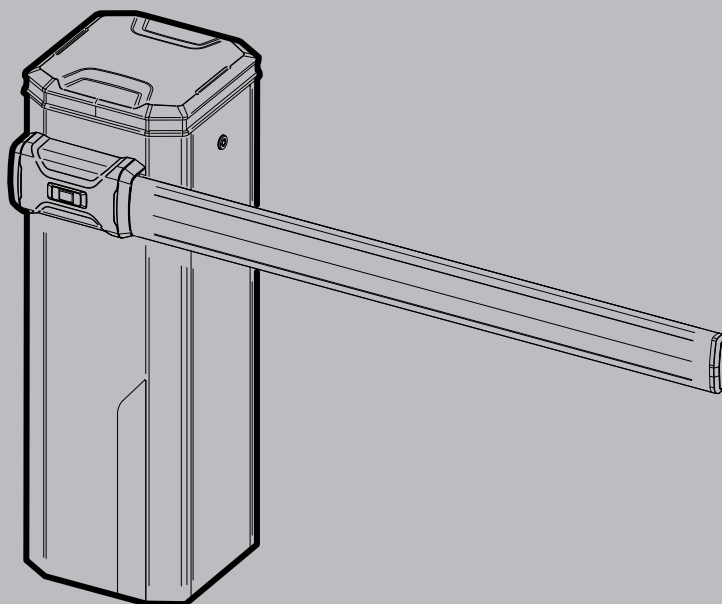


MAXIMA ULTRA 36



INSTRUCTIONS FOR INSTALLATION, USE AND MAINTENANCE I

AUTOMATIC BARRIER

Attenzione! Leggere attentamente le "Avvertenze" all'interno! **Caution!** Read "Warnings" inside carefully!
Attention! Veuillez lire attentivement les Avertissements qui se trouvent à l'intérieur! **Achtung!** Bitte lesen Sie aufmerksam die „Hinweise“ im Inneren!
¡Atención! Leer atentamente las "Advertencias" en el interior!



AZIENDA CON
SISTEMA DI GESTIONE
CERTIFICATO DA DNV GL
= ISO 9001 =
= ISO 14001 =



GENERAL

The automatic electromechanic barrier was designed to manage openings whose maximum width is 6 meters. It is the ideal solution for vehicle management.

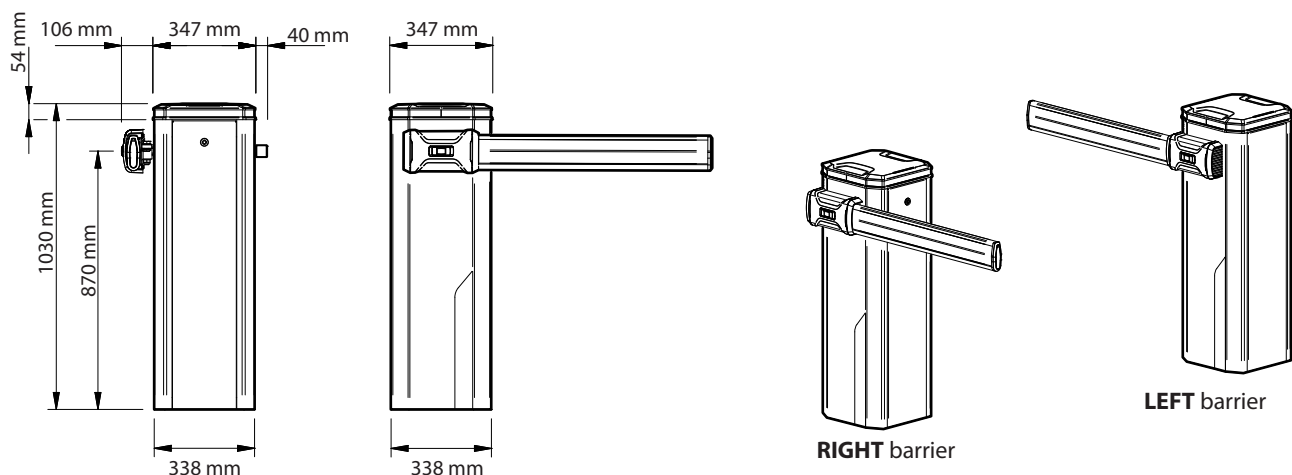
TECHNICAL SPECIFICATIONS

Power 230Vac/115Vac $\pm 10\%$ 50/60 Hz
 Motor 230Vac 910RPM 0.25 kW
 Absorbed power 370 W
 Control unit CSB Xtreme
 Safety to impact Encoder
 Opening time 0.7 ÷ 3.9 s *
 Bar length 2 ÷ 6 m
 Operating temp -40°C ** to +40°C continuous cycle;
 +40°C to +55°C discontinuous cycle
 Actuations over 24h 20.000 bar length up to 3 m
 5.000 bar length up to 6 m
 Protection class IP 55
 Net weight 69 kg
 Gross weight 72 kg
 Sound pressure level at 1 mt $LpA \leq 70$ dB (A)

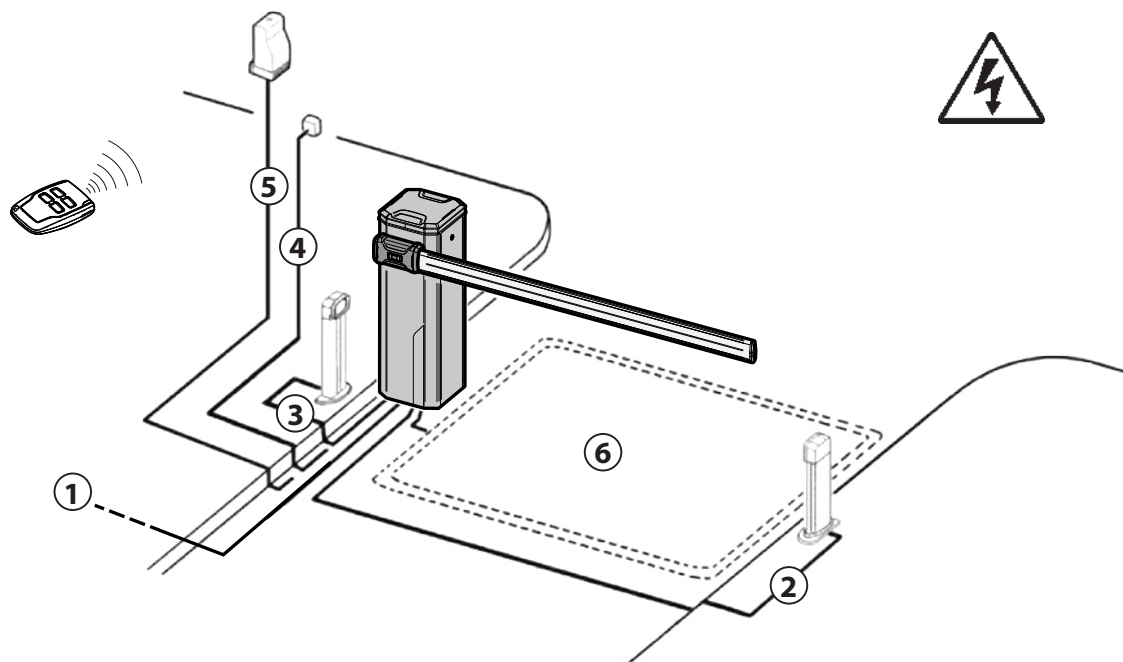
* The opening times are evaluated starting from bar in closed position at the beginning of the slowdown, at ambient temperature.

** -40°C to -20°C with integrated heater active

A DIMENSIONS

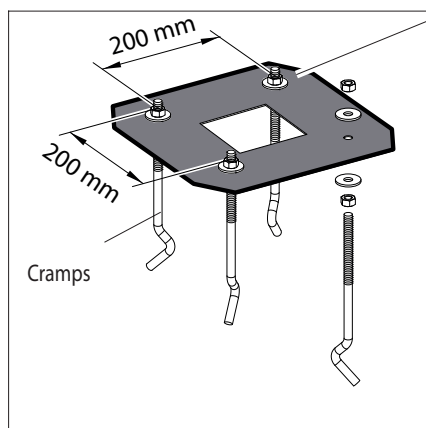


B WIRING DIAGRAM



1	Single-phase	(2+T) x 1,5mm ²
2	Trasmmitter photocell	2 x 0,5 mm ²
3	Receiver photocell	4 x 0,5 mm ²
4	Key selector	3 x 0,5 mm ²
5	Receiver	4 x 0,5 mm ²
	Antenna /	RG58
6	Magnetic detector	

C SECURING THE STRUCTURE

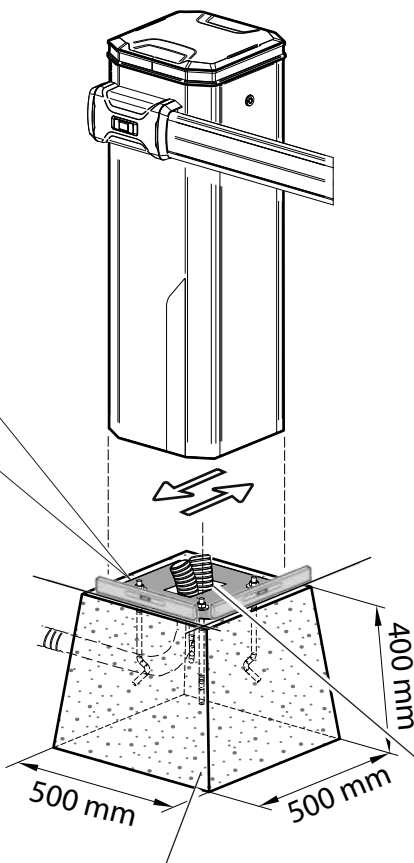


Template

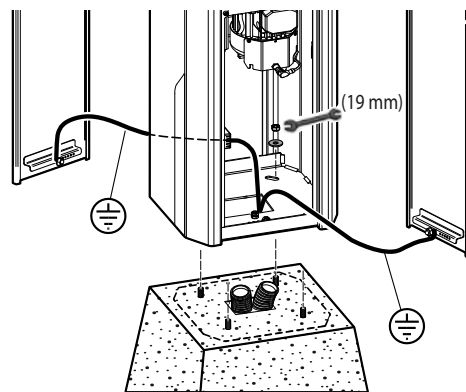
Cramps



Check the direction of travel indicated on the template, for precise overlapping of the rounded corners of the barrier body.



Cement (not supplied)



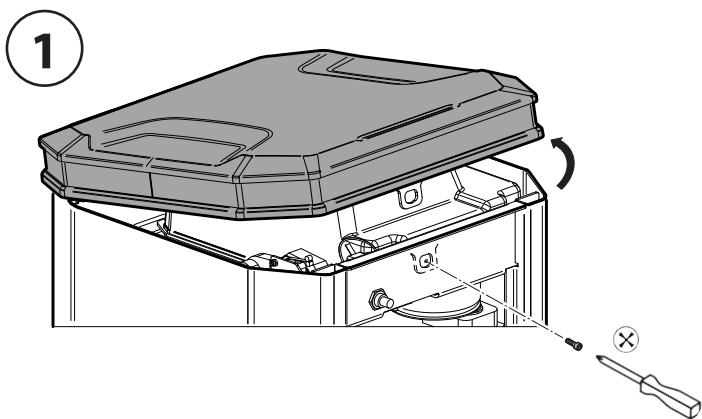
It is recommended to remove the template before securing the barrier.

Arrange in the foundation corrugated tubes for power supply and system cables (not supplied).

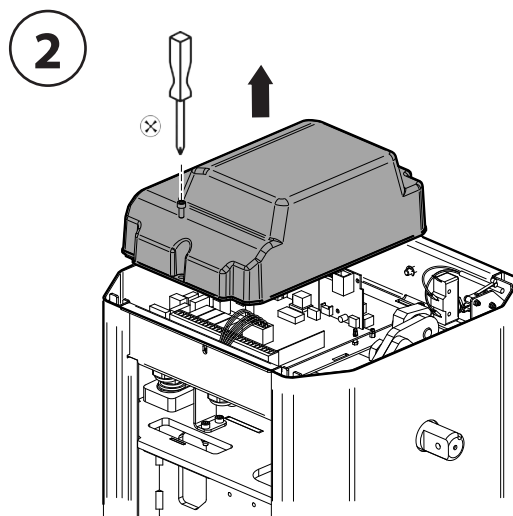
D ELECTRICAL CONNECTIONS



BEFORE PERFORMING ANY TASK ON THE EQUIPMENT, CUT OFF THE POWER SUPPLY.

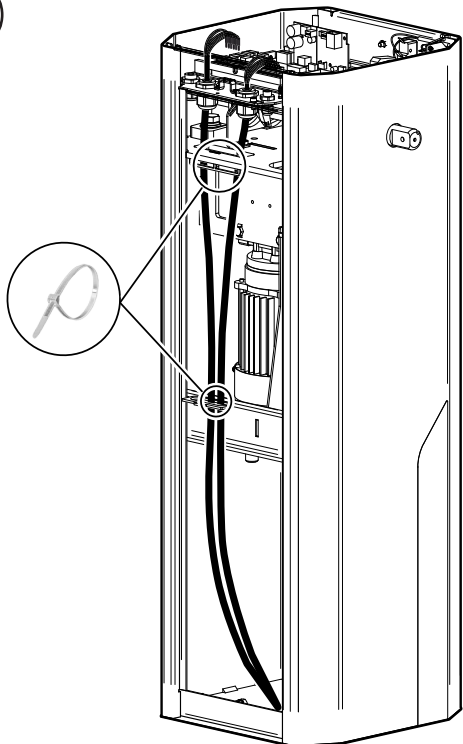


1 OPEN THE COVER AND ACCESS INSIDE THE BARRIER TO REMOVE OF THE DOORS



2 REMOVE THE COVER OF THE INTERNAL CONTROL UNIT

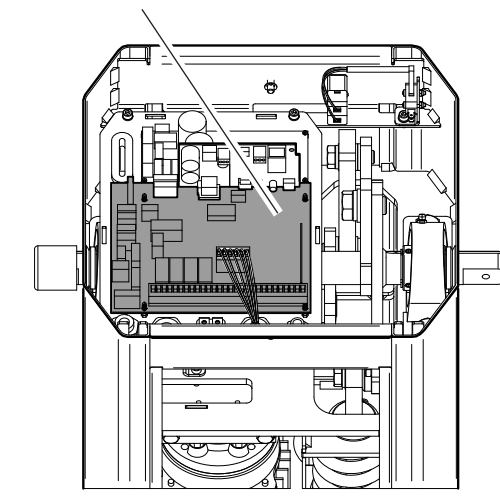
3



SECURE WITH CABLE TIES

4

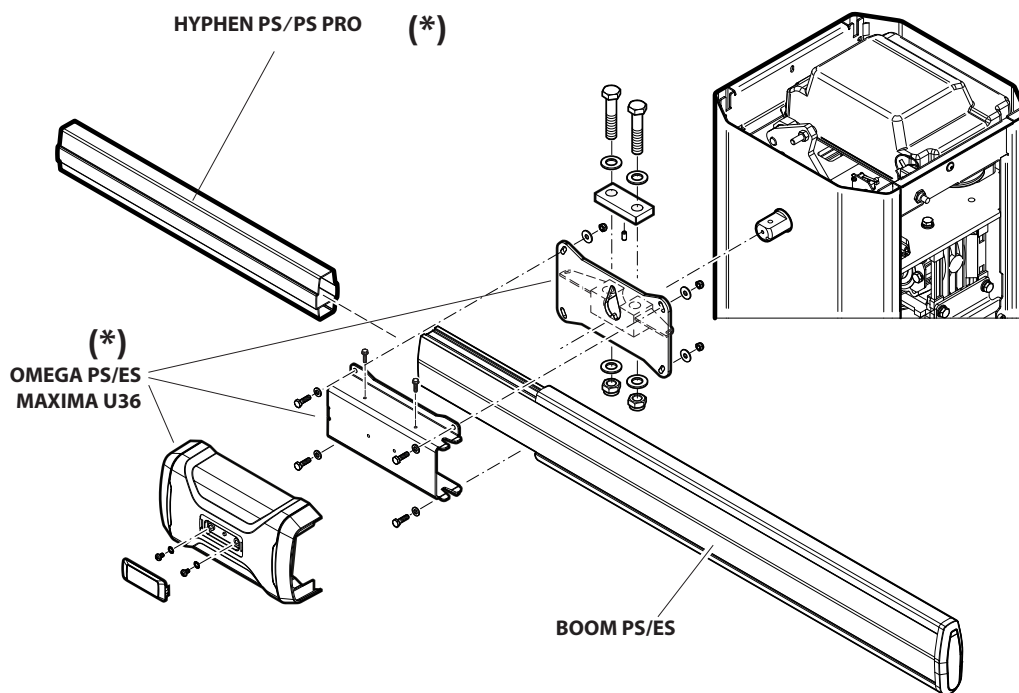
CSB-Xtreme



REFER TO THE USE AND INSTALLATION MANUAL OF THE CONTROL UNIT.

E BAR INSTALLATION

Indicative image



(*) See the product installation and use manual.

F **BAR ALIGNMENT**

1



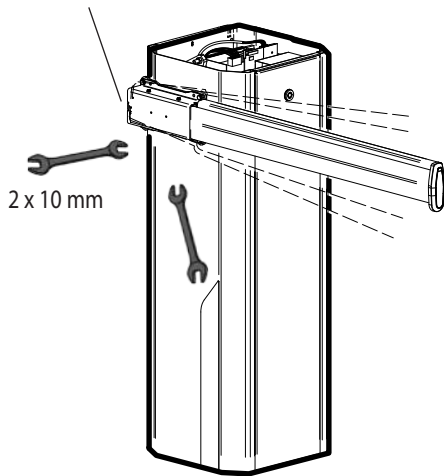
Electrically connect the control unit (see CSB-Xtreme instructions).



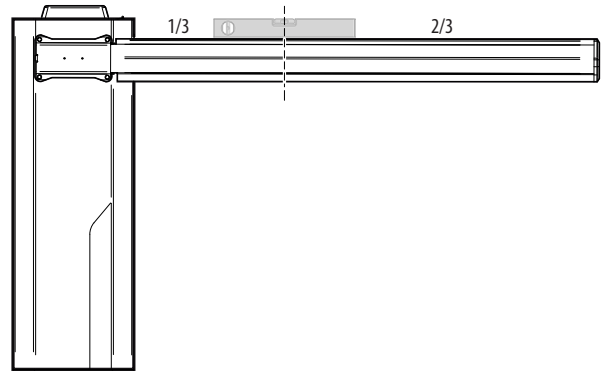
Use the "Start" command to bring the bar in horizontal position.

TO ALIGN THE BAR OPERATE THE ADJUSTABLE BAR HOLDER /

Adjustable bar holder.

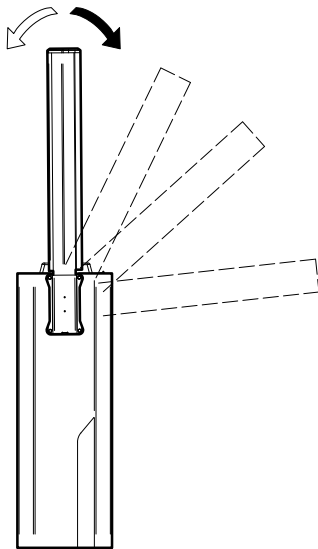


Check that the bar is in horizontal position (see image).

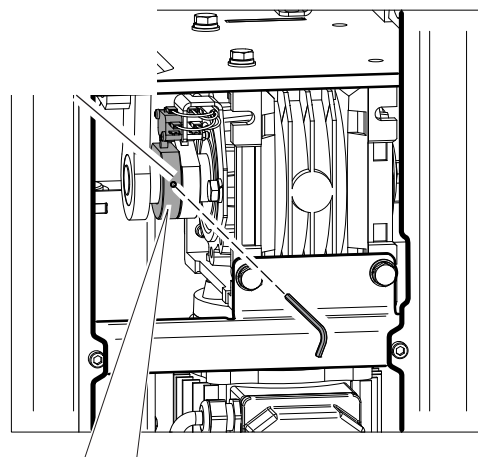


2

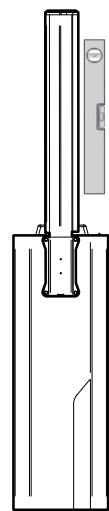
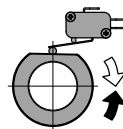
Opening microswitch cam.



Use the "START" command to bring the bar to vertical position.



Adjust the bar vertically operating the cam of the opening limit switch.



Check that the bar is in vertical position.

G BALANCING THE ARM

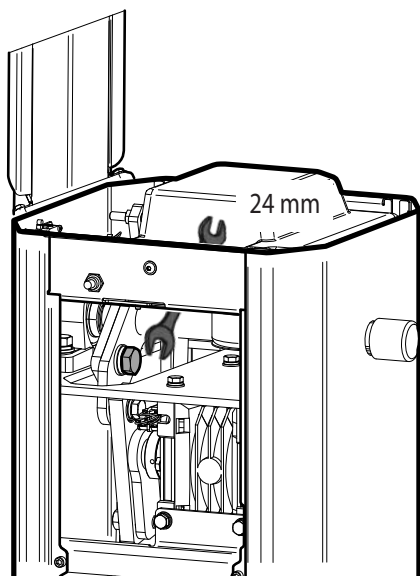


BEFORE PERFORMING ANY TASK ON THE EQUIPMENT, CUT OFF THE POWER SUPPLY.



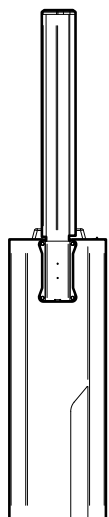
DO IT ONLY WITH THE BAR MOUNTED AND POSITIONED VERTICALLY

1

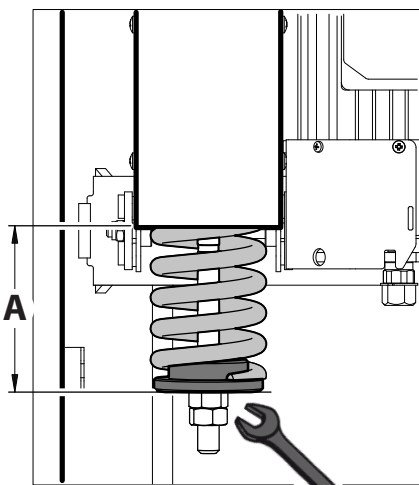


Remove the screw which secures the lever

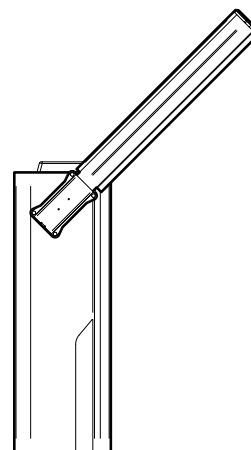
2



Bring the bar to vertical position



22 mm

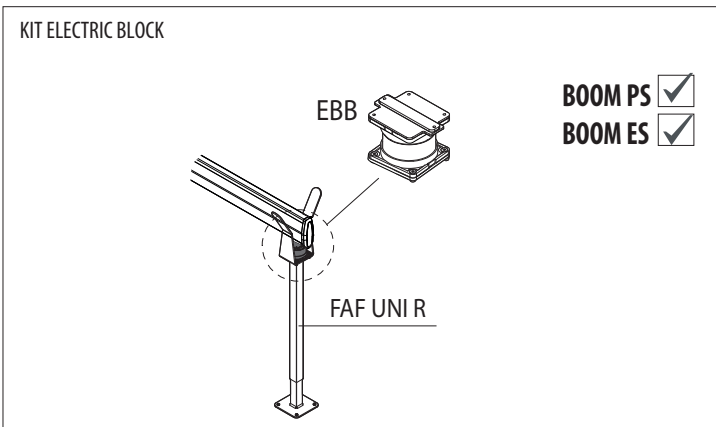
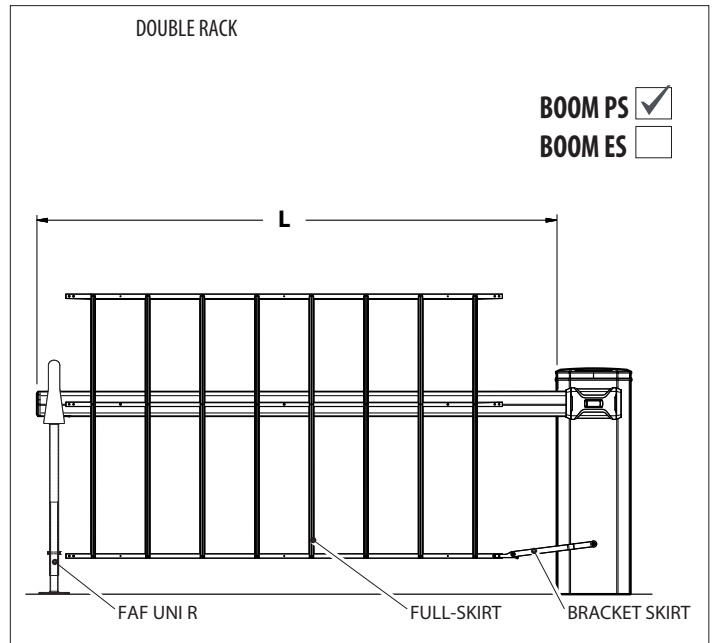
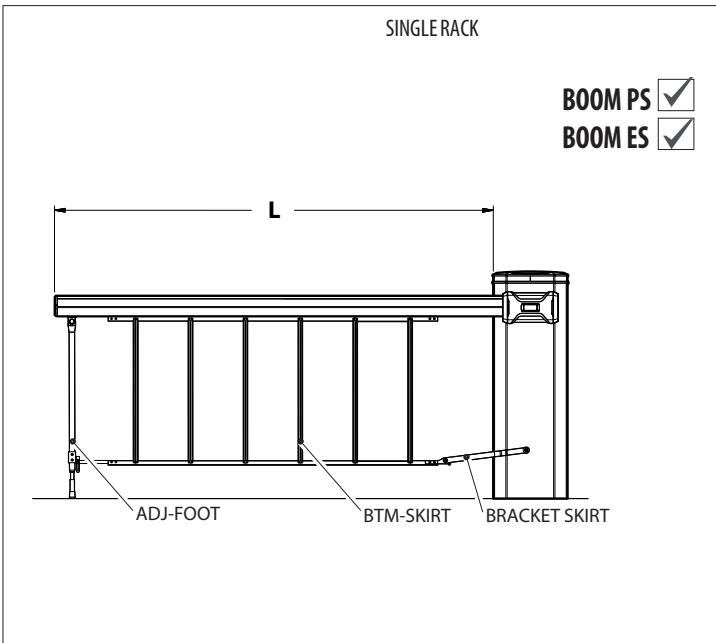
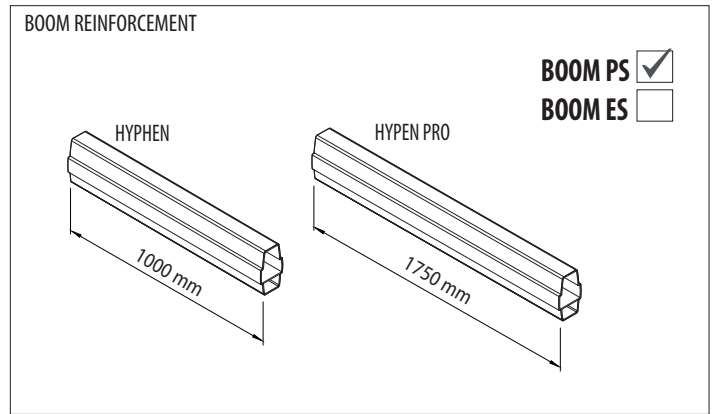
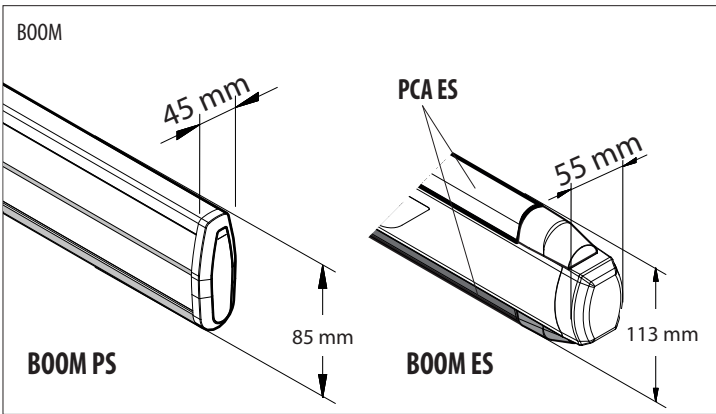


Check that the bar is balanced; if necessary, adjust again the distance "A".

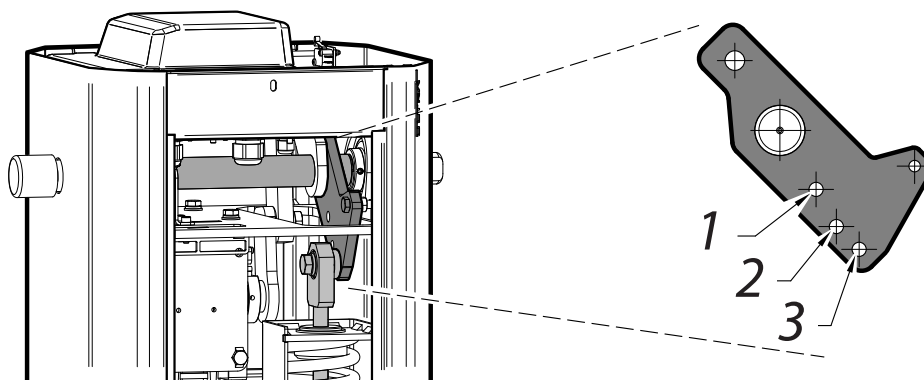
(**) A = Spring preload - see H3 SPRINGS CALIBRATION TABLES

H SPRINGS CALIBRATION

1 ACCESSORIES



2 SPRING COUPLING HOLES



3 SPRINGS CALIBRATION TABLES (APPROXIMATE DATA)



Electrically connect the control unit (see CSB-Xtreme instructions).



The preload value is indicative to reach the correct bar balance angle



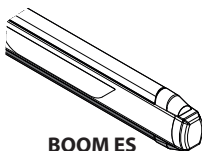
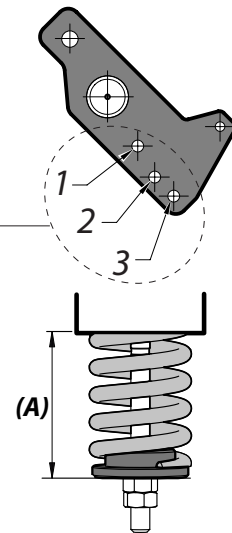
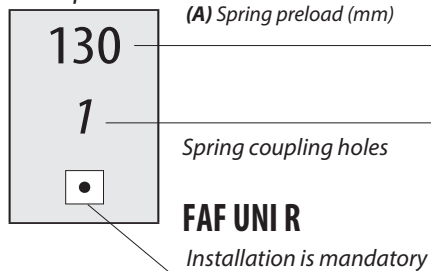
Do not weigh the arm down by applying other accessories



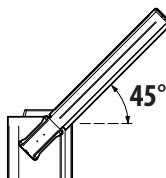
The values in the table are the same for the version with lights

LEGENDA	
MAXIMA ULTRA36	Spring wire
	Ø10 mm

example:

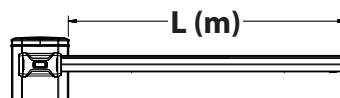
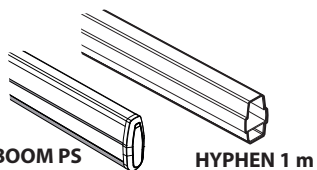
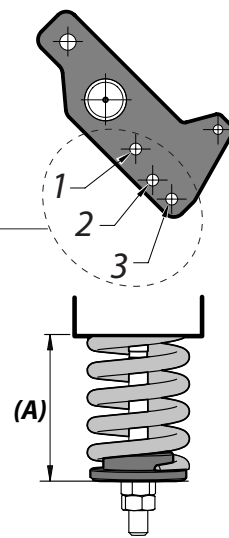
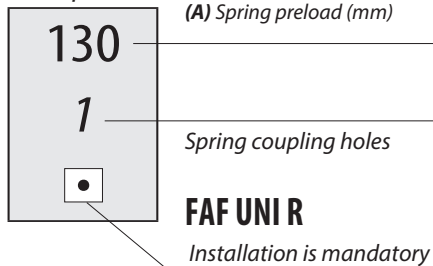


		2	2,25	2,5	2,75	3	3,25	3,5	3,75	4	4,25	4,5	4,75
PCA ES <input type="checkbox"/>	EBB <input type="checkbox"/>	130 1	130 1	130 1	125 1	120 1	115 1	110 1	105 1	100 1	90 1	130 2	125 2
ADJ-FOOT <input type="checkbox"/>	BTM SKIRT <input type="checkbox"/>												
PCA ES <input checked="" type="checkbox"/>	EBB <input type="checkbox"/>	130 1	130 1	125 1	120 1	110 1	100 1	90 1	85 1	125 2	120 2	115 2	110 2
ADJ-FOOT <input type="checkbox"/>	BTM SKIRT <input type="checkbox"/>												
PCA ES <input checked="" type="checkbox"/>	EBB <input type="checkbox"/>									110 2	110 2	95 2	90 2
ADJ-FOOT <input checked="" type="checkbox"/>	BTM SKIRT <input type="checkbox"/>												
PCA ES <input checked="" type="checkbox"/>	EBB <input checked="" type="checkbox"/>			110 1	100 1	90 1	130 2	125 2	120 2	110 2	110 2	95 2	90 2
ADJ-FOOT <input type="checkbox"/>	BTM SKIRT <input type="checkbox"/>			•	•	•	•	•	•	•	•	•	•
PCA ES <input checked="" type="checkbox"/>	EBB <input type="checkbox"/>			115 1	100 1	90 1	125 2	120 2	115 2	105 2	95 2	125 3	120 3
ADJ-FOOT <input type="checkbox"/>	BTM SKIRT <input checked="" type="checkbox"/>									•	•	•	•
PCA ES <input checked="" type="checkbox"/>	EBB <input type="checkbox"/>									130 3	125 3	115 3	105 3
ADJ-FOOT <input checked="" type="checkbox"/>	BTM SKIRT <input checked="" type="checkbox"/>												
PCA ES <input checked="" type="checkbox"/>	EBB <input checked="" type="checkbox"/>			100 1	130 2	120 2	115 2	110 2	100 2	130 3	125 3	115 3	105 3
ADJ-FOOT <input type="checkbox"/>	BTM SKIRT <input checked="" type="checkbox"/>			•	•	•	•	•	•	•	•	•	•

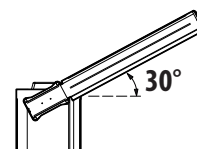
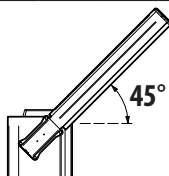


LEGENDA		
MAXIMA ULTRA36	Spring wire Ø10 mm	≥ 5 m HYPHEN mandatory
MAXIMA ULTRA36 XL	Spring wire Ø11 mm	HYPHEN mandatory

example:

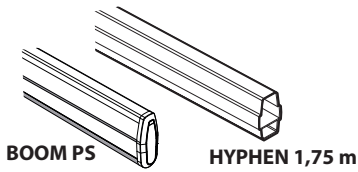
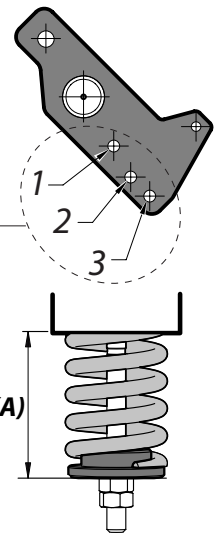
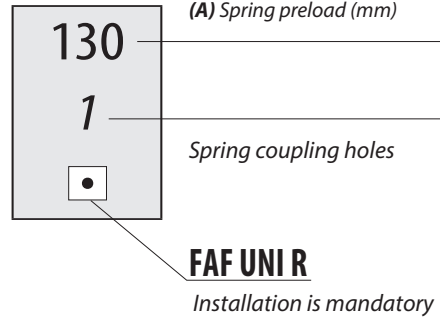


		2	2,25	2,5	2,75	3	3,25	3,5	3,75	4	4,25	4,5	4,75	5	5,25	5,5	5,75	6
ADJ-FOOT <input type="checkbox"/>	BTM SKIRT <input type="checkbox"/>	130	130	125	120	110	100	90	85	125	120	115	110	100	90	125	115	110
EBB <input type="checkbox"/>	FULL SKIRT <input type="checkbox"/>	1	1	1	1	1	1	1	1	2	2	2	2	2	2	3	3	3
ADJ-FOOT <input checked="" type="checkbox"/>	BTM SKIRT <input type="checkbox"/>									110	110	95	90	125	115	110	100	95
EBB <input type="checkbox"/>	FULL SKIRT <input type="checkbox"/>									2	2	2	2	3	3	3	3	2
ADJ-FOOT <input type="checkbox"/>	BTM SKIRT <input type="checkbox"/>			110	100	90	130	125	120	110	110	95	90	125	115	110	100	95
EBB <input checked="" type="checkbox"/>	FULL SKIRT <input type="checkbox"/>			1	1	1	2	2	2	2	2	2	2	3	3	3	3	2
ADJ-FOOT <input type="checkbox"/>	BTM SKIRT <input checked="" type="checkbox"/>			115	100	90	125	120	115	105	95	125	120	110	130	125	120	115
EBB <input type="checkbox"/>	FULL SKIRT <input type="checkbox"/>			1	1	1	2	2	2	2	2	3	3	3	3	3	3	3
ADJ-FOOT <input checked="" type="checkbox"/>	BTM SKIRT <input checked="" type="checkbox"/>									130	125	115	105	95	130	125	115	110
EBB <input type="checkbox"/>	FULL SKIRT <input type="checkbox"/>									3	3	3	3	3	3	3	3	3
ADJ-FOOT <input type="checkbox"/>	BTM SKIRT <input checked="" type="checkbox"/>			95	125	120	115	105	100	130	125	115	105	95	130	125	115	110
EBB <input checked="" type="checkbox"/>	FULL SKIRT <input type="checkbox"/>			1	2	2	2	2	2	3	3	3	3	3	3	3	3	3
ADJ-FOOT <input type="checkbox"/>	BTM SKIRT <input type="checkbox"/>			105	90	130	125	115	100	130	125	115	105	95	125	120	110	105
EBB <input type="checkbox"/>	FULL SKIRT <input checked="" type="checkbox"/>			1	1	2	2	2	2	3	3	3	3	3	3	3	3	3
ADJ-FOOT <input type="checkbox"/>	BTM SKIRT <input type="checkbox"/>			130	125	120	115	100	130	125	110	100	90	130	120	110	100	
EBB <input checked="" type="checkbox"/>	FULL SKIRT <input checked="" type="checkbox"/>			2	2	2	2	2	3	3	3	3	3	3	3	3	3	

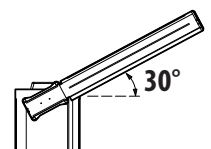
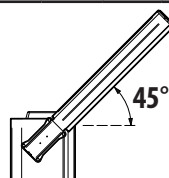


LEGENDA	
MAXIMA ULTRA36	Spring wire Ø10 mm
MAXIMA ULTRA36 XL	Spring wire Ø11 mm

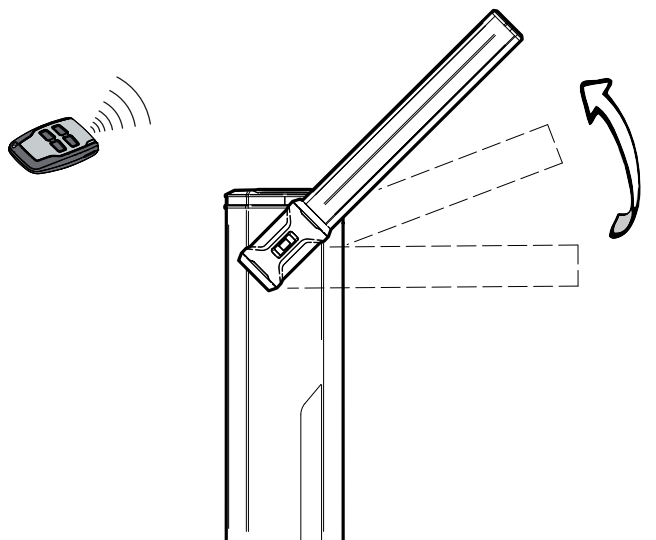
example:



		L (m)																		
		2	2,25	2,5	2,75	3	3,25	3,5	3,75	4	4,25	4,5	4,75	5	5,25	5,5	5,75	6		
ADJ-FOOT <input type="checkbox"/>	BTM SKIRT <input type="checkbox"/>													110	100	90	125	120	110	100
EBB <input type="checkbox"/>	FULL SKIRT <input type="checkbox"/>													2	2	2	3	3	3	3
ADJ-FOOT <input checked="" type="checkbox"/>	BTM SKIRT <input type="checkbox"/>													90	125	120	110	105	95	90
EBB <input type="checkbox"/>	FULL SKIRT <input type="checkbox"/>													2	3	3	3	3	2	2
ADJ-FOOT <input type="checkbox"/>	BTM SKIRT <input type="checkbox"/>													90	125	120	110	105	95	90
EBB <input checked="" type="checkbox"/>	FULL SKIRT <input type="checkbox"/>													2	3	3	3	3	2	2
ADJ-FOOT <input type="checkbox"/>	BTM SKIRT <input checked="" type="checkbox"/>													125	115	105	130	130	125	120
EBB <input type="checkbox"/>	FULL SKIRT <input type="checkbox"/>													3	3	3	3	3	3	3
ADJ-FOOT <input checked="" type="checkbox"/>	BTM SKIRT <input checked="" type="checkbox"/>													110	100	130	125	120	115	105
EBB <input type="checkbox"/>	FULL SKIRT <input type="checkbox"/>													3	3	3	3	3	3	3
ADJ-FOOT <input type="checkbox"/>	BTM SKIRT <input checked="" type="checkbox"/>													110	100	130	125	120	115	105
EBB <input checked="" type="checkbox"/>	FULL SKIRT <input type="checkbox"/>													3	3	3	3	3	3	3
ADJ-FOOT <input type="checkbox"/>	BTM SKIRT <input type="checkbox"/>													110	100	130	125	120	110	100
EBB <input type="checkbox"/>	FULL SKIRT <input checked="" type="checkbox"/>													3	3	3	3	3	3	3
ADJ-FOOT <input type="checkbox"/>	BTM SKIRT <input type="checkbox"/>													100	130	125	115	110	100	
EBB <input checked="" type="checkbox"/>	FULL SKIRT <input checked="" type="checkbox"/>													3	3	3	3	3	3	



I START UP



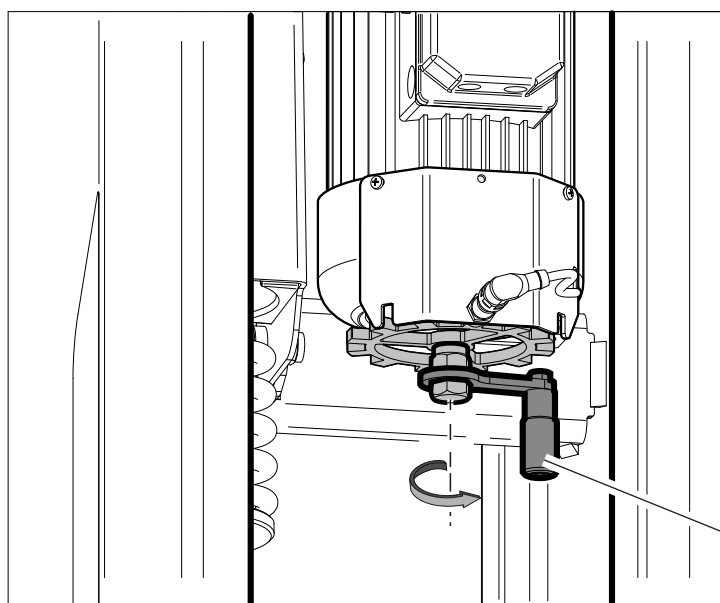
L HAND MANOEUVRE



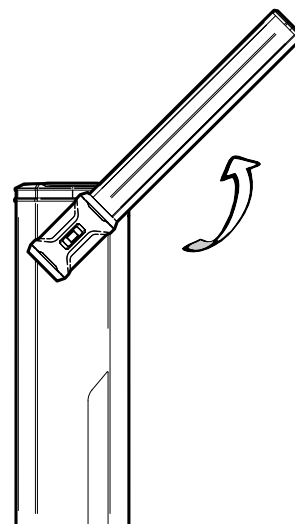
BEFORE PERFORMING ANY TASK ON THE EQUIPMENT, CUT OFF THE POWER SUPPLY.



DO IT ONLY WITH THE BAR MOUNTED AND POSITIONED VERTICALLY



RELEASE CRANK



Installation data

Installer		Installation date	
Customer		Activation date	
Serial number		Luogo - Location - Lieu - Ort - Lugar - Plaats	

Maintenance date

N.	Date	Intervention description	Signature	
1			Tecnico / Technician / Technicien Techniker / Técnico / Monteur	Ciente / Customer / Client Kunde/ Cliente / Klant
2			Tecnico / Technician / Technicien Techniker / Técnico / Monteur	Ciente / Customer / Client Kunde/ Cliente / Klant
3			Tecnico / Technician / Technicien Techniker / Técnico / Monteur	Ciente / Customer / Client Kunde/ Cliente / Klant
4			Tecnico / Technician / Technicien Techniker / Técnico / Monteur	Ciente / Customer / Client Kunde/ Cliente / Klant
5			Tecnico / Technician / Technicien Techniker / Técnico / Monteur	Ciente / Customer / Client Kunde/ Cliente / Klant
6			Tecnico / Technician / Technicien Techniker / Técnico / Monteur	Ciente / Customer / Client Kunde/ Cliente / Klant
7			Tecnico / Technician / Technicien Techniker / Técnico / Monteur	Ciente / Customer / Client Kunde/ Cliente / Klant
8			Tecnico / Technician / Technicien Techniker / Técnico / Monteur	Ciente / Customer / Client Kunde/ Cliente / Klant
9			Tecnico / Technician / Technicien Techniker / Técnico / Monteur	Ciente / Customer / Client Kunde/ Cliente / Klant
10			Tecnico / Technician / Technicien Techniker / Técnico / Monteur	Ciente / Customer / Client Kunde/ Cliente / Klant
11			Tecnico / Technician / Technicien Techniker / Técnico / Monteur	Ciente / Customer / Client Kunde/ Cliente / Klant
12			Tecnico / Technician / Technicien Techniker / Técnico / Monteur	Ciente / Customer / Client Kunde/ Cliente / Klant
13			Tecnico / Technician / Technicien Techniker / Técnico / Monteur	Ciente / Customer / Client Kunde/ Cliente / Klant
14			Tecnico / Technician / Technicien Techniker / Técnico / Monteur	Ciente / Customer / Client Kunde/ Cliente / Klant



www.bft-automation.com

BFT Spa

Via Lago di Vico, 44 **ITALY**
36015 Schio (VI)
T +39 0445 69 65 11
F +39 0445 69 65 22

SPAIN

BFT GROUP ITALIBERICA DE AUTOMATISMOS SL
Camí de Can Bassa, 6, 08401 Granollers, Barcelona, Spagna

FRANCE

AUTOMATISMES BFT FRANCE SAS
50 rue Jean Zay
69800 Saint-Priest, Francia

GERMANY

BFT ANTRIEBSSYSTEME GMBH
Faber-Castell-Straße 29, 90522 Oberasbach, Germania

UNITED KINGDOM

BFT AUTOMATION UK LTD
Unit C2-C3 The Embankment Business Park, Vale Road Heaton Mersey Stockport Cheshire SK4 3GL United Kingdom

BFT AUTOMATION (SOUTH) LTD
Enterprise House Murdock Road, Dorcan, Swindon, England, SN3 5HY

PORTUGAL

BFT PORTUGAL SA
Urb. Pedrulha lote 9 - Apartado 8123, 3025-248 Coimbra Portugal

POLAND

BFT POLSKA SP ZOO
Marecka 49, 05-220 Zielonka, Polonia

IRELAND

BFT AUTOMATION IRELAND
Unit D3 City Link Business Park, Old Naas Road, Dublin

CROATIA

BFT ADRIA DOO
Obrovac 39, 51218, Dražice, Croazia

CZECH REPUBLIC

BFT CZ SRO
Ustecka 533/9, 184 00 Praha 8, Czech

TURKEY

BFT OTOMASYON KAPI
Şerifali Mahallesi, no, 34775 Ümraniye/Istanbul, Turchia

U.S.A.

BFT AMERICAS INC.
1200 S.W. 35th Avenue Suite B Boynton Beach FL 33426

AUSTRALIA

BFT AUTOMATION AUSTRALIA PTY
29 Bentley St, Wetherill Park NSW 2164, Australia

EMIRATES

BFT MIDDLEEAST FZCO
FZS2 AA01 - PO BOX 262200, Jebel Ali Free Zone South Zone 2, Dubai - United Arab

NEW ZEALAND

BFT AUTOMATION NEW ZEALAND
224/A Bush Road, Rosedale, Auckland, New Zealand