



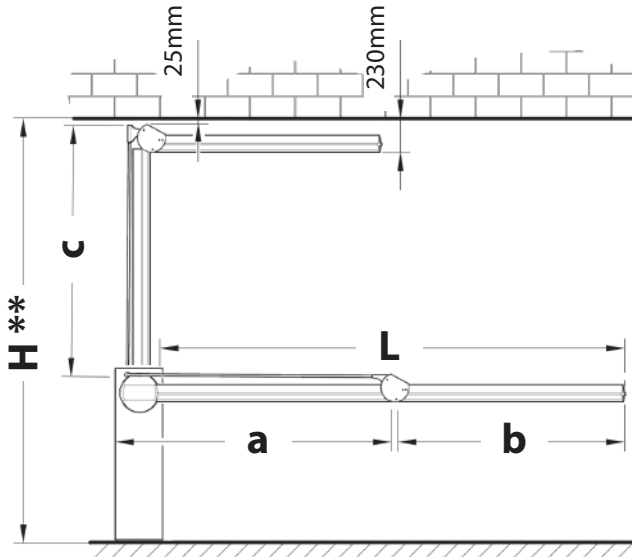
kit BL-SMALL-SN 90° kit SNODO ATM+TIRANTE

IT EN

D812845 00550_06 06-05-21

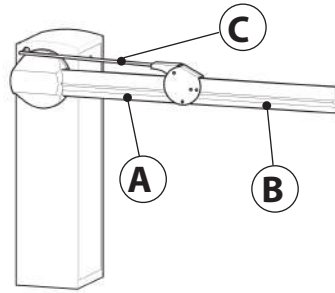


BARRA SNODATA 90° PER BARRIERE AUTOMATICHE
90° ARTICULATED BAR FOR AUTOMATIC BARRIERS



- A** BARRA FISSA • FIXED BAR
- B** BARRA SNODATA • ARTICULATED BAR
- C** TIRANTE • TIE ROD

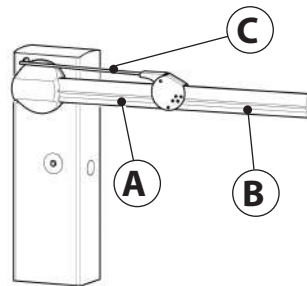
NIGHT&DAY.3 - NIGHT&DAY_35 Xtreme MAXIMA 30 - MAXIMA ULTRA 35



** Hmax= 3200mm

- L =
- H =
- A = H - 1060 =
- B = L - A + 220 =
- C = A - 140 =

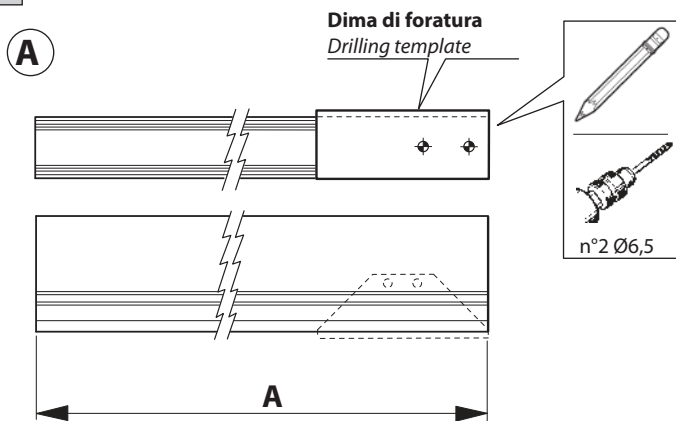
UP&DOWN



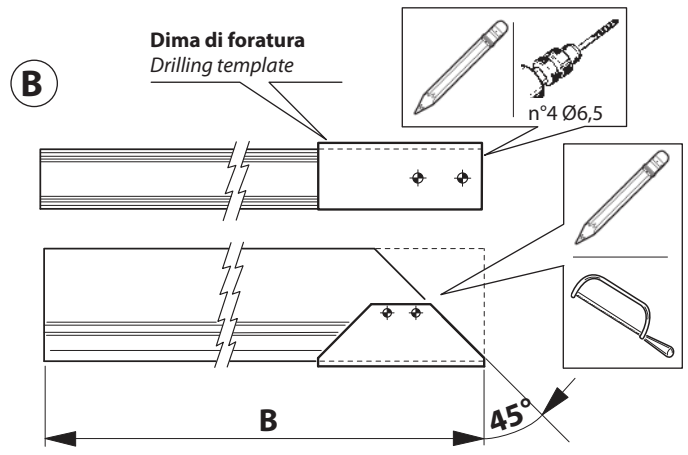
** Hmax= 3100mm

- L =
- H =
- A = H - 960 =
- B = L - A + 220 =
- C = A - 140 =

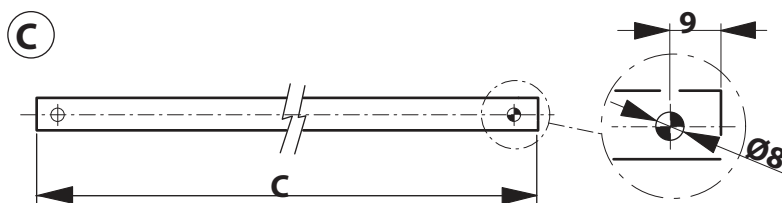
1 TAGLIO E FORATURA BARRE E TIRANTE • CUTTING AND DRILLING THE BARS AND TIE ROD



- 1) Tagliare a misura "A" • Size cut "A"
- 2) Tracciare i due fori • Mark the two holes
- 3) Forare Ø6,5 • Drill Ø6,5

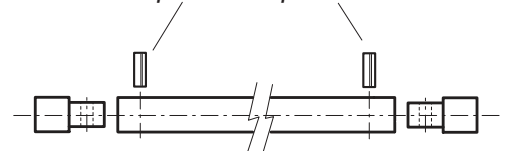


- 1) Tagliare a misura "B" • Size cut "B"
- 2) Tracciare e tagliare a 45° • Mark and cut at 45°
- 3) Forare passante Ø6,5 • Bore Ø6,5

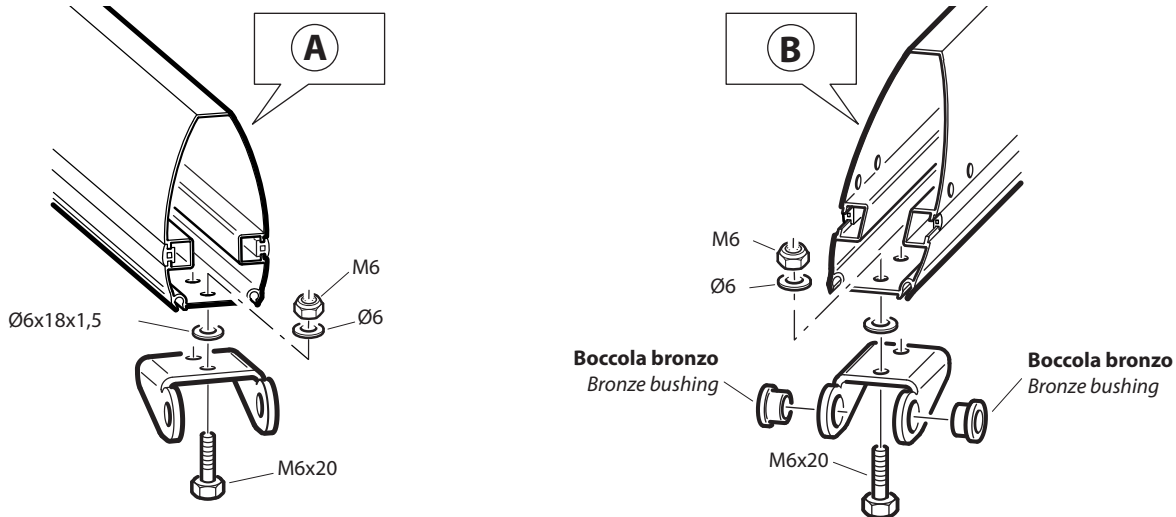


- 1) Tagliare a misura "C" • Size cut "C"
- 2) Forare passante Ø8 • Bore Ø8

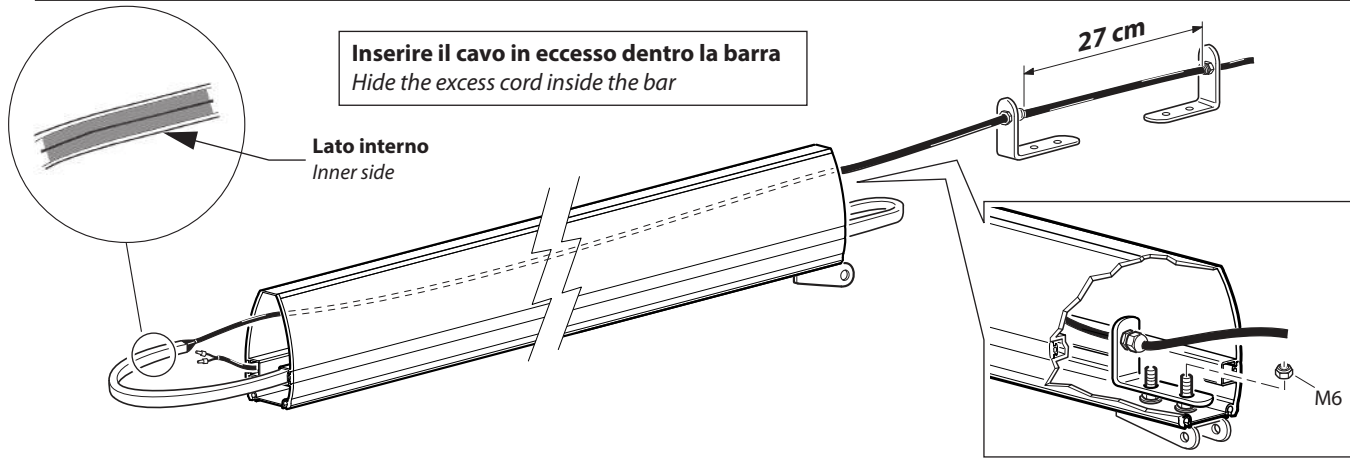
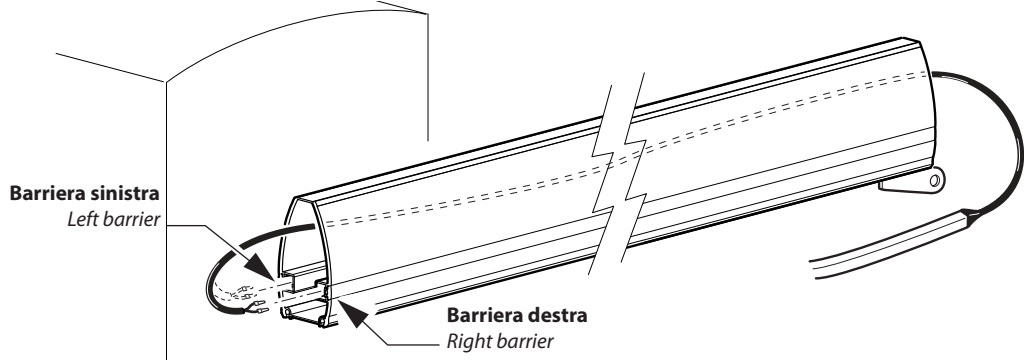
n°2 spine elastiche Ø8x25
2 pcs elastic pin Ø8x25



2 MONTAGGIO CERNIERE · ASSEMBLING THE HINGES

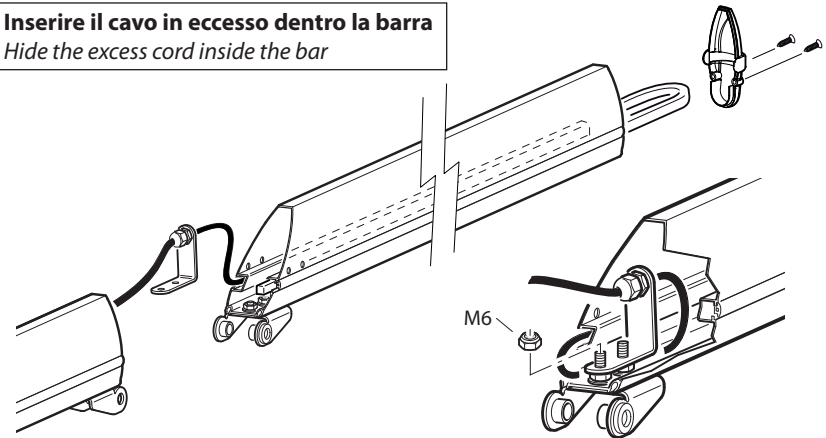


3 MONTAGGIO LIGHT BARRA "A" (SOLO PER LIGHT) · ASSEMBLING LIGHT BAR "A" (ONLY FOR LIGHT)

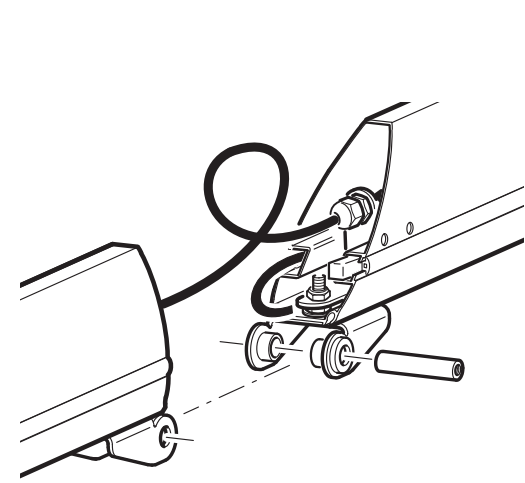


4 MONTAGGIO LIGHT BARRA "B" (SOLO PER LIGHT) · ASSEMBLING KIT LIGHT BAR "B" (ONLY FOR LIGHT)

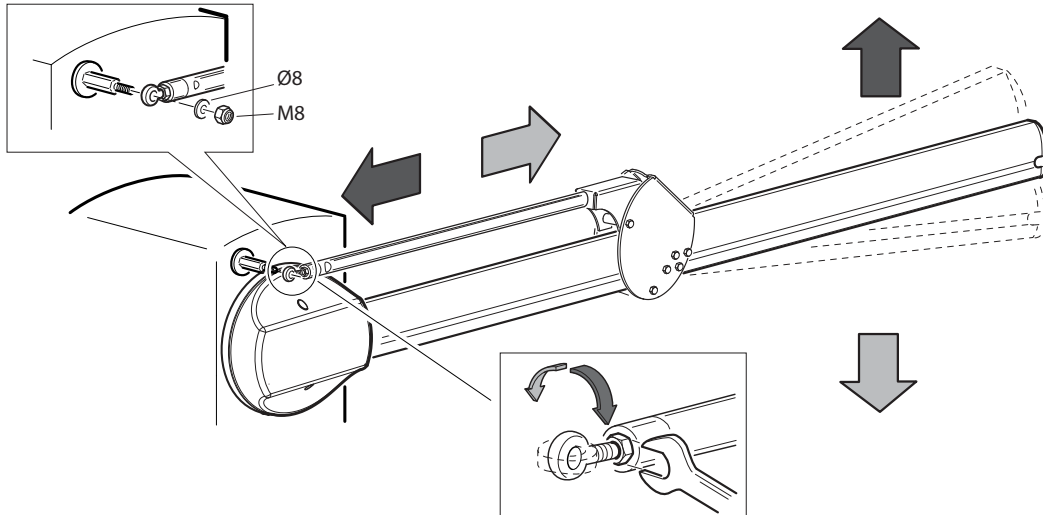
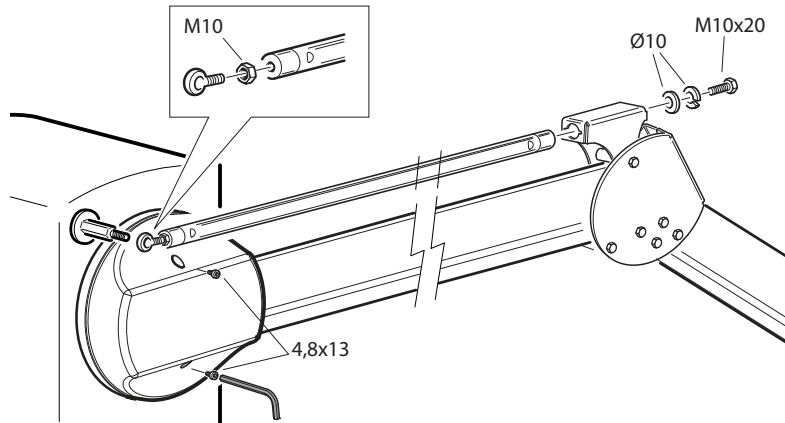
Inserire il cavo in eccesso dentro la barra
Hide the excess cord inside the bar



5 COLLEGAMENTO CERNIERE · CONNECTING THE HINGES



⚠ Alimentare a 24V le luci LIGHT per verificare la corretta accensione dei led
Feed with 24V the LIGHT to check the LEDs correct switching on



INSTALLATORE
INSTALLER

DATA
DATE

www.bft-automation.com

BFT Spa

Via Lago di Vico, 44 ITALY
36015 Schio (VI)
T +39 0445 69 65 11
F +39 0445 69 65 22

SPAIN

**BFT GROUP ITALIBERICA DE
AUTOMATISMOS SL**
Camí de Can Bassa, 6, 08401
Granollers, Barcelona, Spagna

FRANCE

AUTOMATISMES BFT FRANCE SAS
50 rue jean zay
69800 Saint-Priest, Francia

GERMANY

BFT ANTRIEBSSYSTEME GMBH
Faber-Castell-Straße 29, 90522
Oberasbach, Germania

UNITED KINGDOM

BFT AUTOMATION UK LTD
Unit C2-C3 The Embankment Business
Park, Vale Road Heaton Mersey Stockport
Cheshire SK4 3GL United Kingdom

BFT AUTOMATION (SOUTH) LTD
Enterprise House Murdock Road, Dorcan,
Swindon, England, SN3 5HY

PORTUGAL

BFT PORTUGAL SA
Urb. Pedrulha lote 9 - Apartado 8123,
3025-248 Coimbra Portugal

POLAND

BFT POLSKA SP ZOO
Marecka 49, 05-220 Zielonka, Polonia

IRELAND

BFT AUTOMATION IRELAND
Unit D3 City Link Business Park, Old Naas
Road, Dublin

CROATIA

BFT ADRIA DOO
Obrovac 39, 51218, Dražice, Croazia

CZECH REPUBLIC

BFT CZ SRO
Ustecka 533/9, 184 00 Praha 8,
Czech

TURKEY

BFT OTOMASYON KAPI
Şerifali Mahallesi, no, 34775
Ümraniye/İstanbul, Turchia

U.S.A.

BFT AMERICAS INC.
1200 S.W. 35th Avenue Suite B Boynton
Beach FL 33426

AUSTRALIA

BFT AUTOMATION AUSTRALIA PTY
29 Bentley St, Wetherill Park NSW
2164, Australia

EMIRATES

BFT MIDDLEEAST FZCO
FZS2 AA01 -PO BOX 262200, Jebel Ali Free
Zone South Zone 2, Dubai - United Arab

NEW ZEALAND

BFT AUTOMATION NEW ZEALAND
224/A Bush Road, Rosedale,
Auckland, New Zealand